

SR-21

ROCKER SWITCH SR-21 SERIES



SR-21A



SR-21N



SR-21N

SPECIFICATIONS

		13(2)A	250VAC	T85
		6A	250VAC	T125
		12A	125VAC	

FEATURES

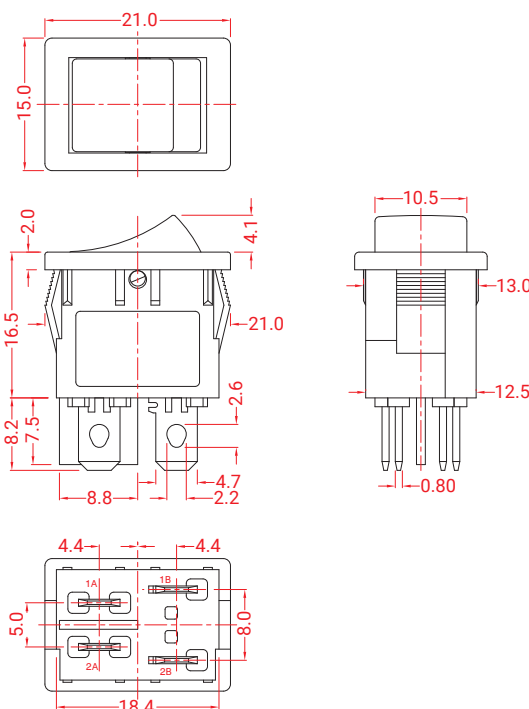
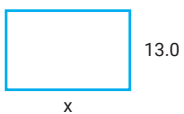
- Usage: General purpose
用途：通用
- Small size with waterproof cap option
小尺寸·帶防水蓋選項
- Single Pole, Double Pole option, Separation plate
單極、雙極選項、帶隔板
- With lamp option
帶燈選項
- Temperature Rating: -10°C~125°C
額定溫度：-10°C~125°C
- Flammability Rating: UL94V-2 / Optional UL94V-0
可燃性等級：UL94V-2 / 可選 UL94V-0

ORDER INFORMATION

A	1	L	Q	1	BK	BK	1	0	0	0	
FUNCTION	NO. OF POLES	CURRENT	TERMINAL TYPE	BASE TYPE	BASE COLOR	BUTTON COLOR	BUTTON TYPE	PRINTING	COLOR OF PRINTING	LAMP VOLTAGE	INTERNAL USE ONLY
A ON-OFF N ON-OFF w/lamp	1 Single 2 Double	L 13(2)A 250VAC 12A 125VAC	Q V	1 2	BK Black WT White GE Grey RE Red GR Green BL Blue OR Amber YE Yellow	BK Black WT White GE Grey RE Red GR Green BL Blue OR Amber YE Yellow	1 2	0 NONE 1 2 3 8 9 A	0 None 1 White 2 Black 3 Red 4 Blue 5 Yellow	0 None 1 12V 3 110V 4 220V	

SUGGESTED PANEL HOLE SIZE

Panel thickness	x
0.75 ~ 1.25	19.2
1.25 ~ 2.0	19.4
2.0 ~ 3.0	19.6



ROCKER SWITCH

ROTARY SWITCH

PUSH SWITCH

MICRO SWITCH

SLIDE SWITCH

INDICATOR LAMP

AC SOCKET

KEYBOARD SWITCH

TIMER SWITCH

POWER TOOL SWITCH