

ROCKER SWITCH
ROTARY SWITCH
PUSH SWITCH
MICRO SWITCH
SLIDE SWITCH
INDICATOR LAMP
AC SOCKET
KEYBOARD SWITCH
TIMER SWITCH
POWER TOOL SWITCH



SR-06A



SR-06C



SR-06E



SR-06I



SR-06Y



SR-06 CAP

SPECIFICATIONS

3A	250VAC	T85	T125/55
6.5A	250VAC	T85	T125/55
6(3)A	250VAC	T85	5E4
6(6)A	250VAC	T85	5E4
8A	250VAC	T85	T125/55
10(3)A	250VAC	T85	
13A	250VAC	T85	15E3
IP54 waterproof protection for button type no.9(SGS approved)			
3A	250VAC	T125	
6A	125VAC		
8A	250VAC	T125	
16A	125VAC		
6.5A	250VAC	T125	
13A	125VAC		
6A GP	125VAC	T100	
13A GP	125VAC	T100	
16A GP	125VAC	T100	
10(3)A	250VAC	T100	
10(3)A	125VAC	T100	
10(8)A	250VAC	T100	
10(8)A	125VAC	T100	
6(6)A	250VAC	T100	5E4
6(6)A	125VAC	T100	5E4
13A	250VAC	T100	15E3
13A	125VAC	T100	15E3

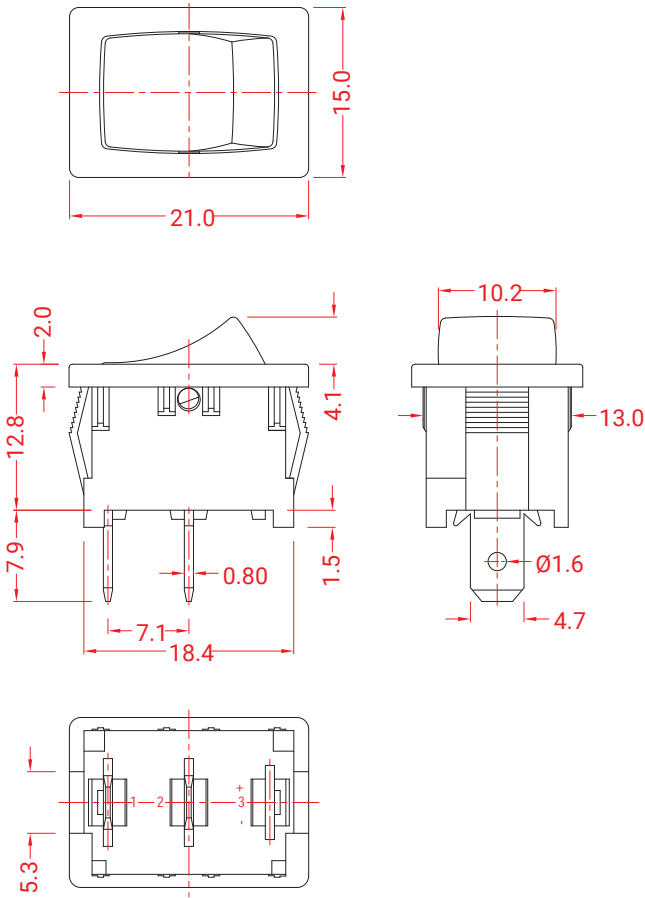


FEATURES

- Usage: General purpose, Electronic & Electrical devices.
用途：通用：電子及電氣設備
- Standard small size with waterproof cap option
標準小尺寸，帶防水蓋選項
- Single Pole
單極
- Wide range function / LED lamp option / Indicator function option
廣範功能/LED燈選項/指示燈功能選項
- Waterproof Button option in IP54
帶 IP54 防水按鈕選項
- Temperature Rating: -10°C~125°C
額定溫度：-10°C~125°C
- Flammability Rating: UL94V-2 / Optional UL94V-0
可燃性等級：UL94V-2 / 可選 UL94V-0

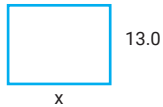
ORDER INFORMATION

A	H2	Q
FUNCTION	CURRENT	TERMINAL TYPE
A ON-OFF	H2 10(3)A 250VAC	Q
B ON-ON	8A 250VAC	
C ON-OFF-ON	16A 125VAC (Except function I)	Q1
D (ON)-OFF	L 6(6)A 250VAC 5E4	
E ON-(OFF)	10(3)A 250VAC	Q2
F ON-(ON)	13A 250VAC 15E3	
M ON-OFF-(ON)	16A 125VAC (For ANY functions only)	S
X (ON)-OFF-(ON)		
N ON-OFF w/lamp (Unswitched neutral)		S1
Y ON-OFF w/LED lamp		P1
I Indicator		



SUGGESTED PANEL HOLE SIZE

Panel thickness	x
0.75 ~ 1.25	19.2
1.25 ~ 2.0	19.4
2.0 ~ 3.0	19.6



	1	BK	BK	1	0	0	0	
	BASE TYPE	BASE COLOR	BUTTON COLOR	BUTTON TYPE	PRINTING	COLOR OF PRINTING	LAMP VOLTAGE	INTERNAL USE ONLY
P2		BK Black	BK Black	1	0	0 None	0 None	
P3		WT White	WT White	2	1	1 White	1 12V	
P6		GE Grey	GE Grey	3	2	2 Black	3 110V	
P7		RE Red	RE Red	4	3	3 Red	4 220V	
P8		GR Green	GR Green	5	4	4 Blue	5 2V	
P9		BL Blue	BL Blue	7	5	5 Yellow	6 6V	
	2	OR Amber	OR Amber	8	6			
	3	YE Yellow	YE Yellow	9	7			
	4			0	8			
				1	9			
				2	A			
				3	B			
				4	C			
				5	D			
				7	E			