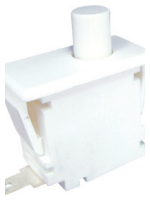


# SB-80

## PUSH SWITCH SB-80 SERIES



SB-80D



SB-80V

### SPECIFICATIONS



E199326

|        |            |       |     |
|--------|------------|-------|-----|
| 6(3)A  | 250VAC     | 40T85 | 5E4 |
| 10(4)A | 250VAC     | 40T85 |     |
| 10A    | 250VAC     | T105  |     |
| 16A    | 125VAC     |       |     |
| 1/3HP  | 125/250VAC | T105  |     |

### FEATURES

- Usage: door switch, white good  
用途：門開關、白電
- Different 3 gears operation logic  
不同的3檔操作邏輯
- Temperature Rating: -40°C~105°C  
額定溫度：-40°C~105°C
- Flammability Rating: UL94V-2 / Optional UL94V-0  
可燃性等級：UL94V-2 / 可選 UL94V-0

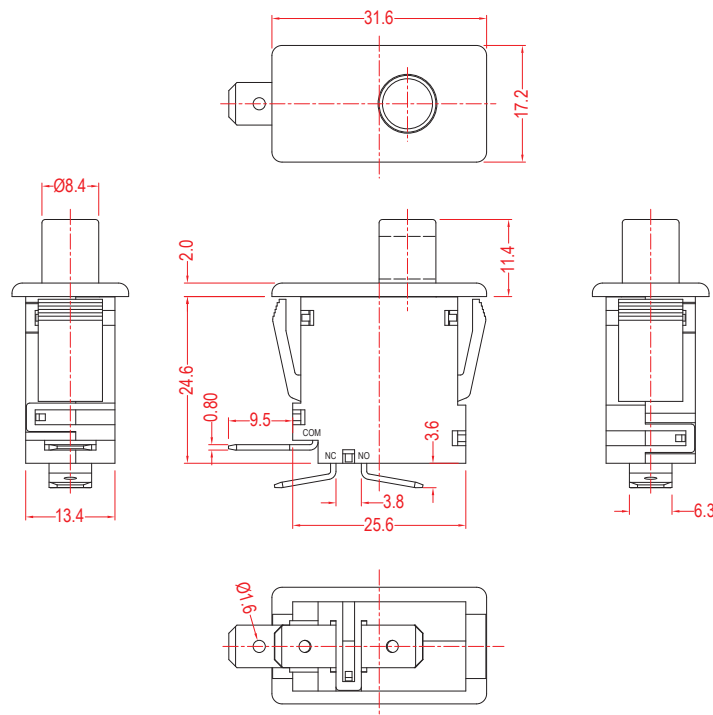
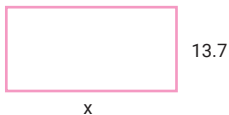
### ORDER INFORMATION

| D  | L                       | 1          | WT              | WT              | Q             | INTERNAL USE ONLY |
|--|-------------------------|------------|-----------------|-----------------|---------------|-------------------|
| FUNCTION   | CURRENT                 | KNOB TYPE  | HOUSING COLOR   | KNOB COLOR      | TERMINAL TYPE |                   |
| <b>D (ON)-OFF</b>  | <b>L 10(4)A 250VAC</b>  | <b>1</b>   | <b>WT White</b> | <b>WT White</b> | <b>Q</b>      |                   |
| <b>E ON-(OFF)</b>  | <b>6(3)A 250VAC</b>     | <b>5E4</b> |                 |                 |               |                   |
| <b>F ON-(ON)</b>   | <b>16A 125VAC</b>       |            |                 |                 |               |                   |
| <b>T OFF - (ON)<sub>NO</sub> - ON<sub>NO</sub></b><br>W/Pull up lock ↕             | <b>1/3HP 125/250VAC</b> | <b>4</b>   |                 |                 | <b>T</b>      |                   |
| <b>U ON<sub>NC</sub> - (OFF) - OFF</b><br>W/Pull up lock ↕                         |                         |            |                 |                 | <b>T3</b>     |                   |
| <b>V ON<sub>NC</sub> - (ON)<sub>NO</sub> - ON<sub>NO</sub></b><br>W/Pull up lock ↕ |                         |            |                 |                 |               |                   |

Note:  
NO:Normally open  
NC:Normally close

### SUGGESTED PANEL HOLE SIZE

| Panel thickness | x    |
|-----------------|------|
| 0.75 ~ 1.25     | 28.3 |
| 2.0 ~ 2.5       | 28.5 |



ROCKER SWITCH

ROTARY SWITCH

PUSH SWITCH

MICRO SWITCH

SLIDE SWITCH

INDICATOR LAMP

AC SOCKET

KEYBOARD SWITCH

TIMER SWITCH

POWER TOOL SWITCH