

MC21

MICRO SWITCH MC21 SERIES



SPECIFICATIONS

Function	Rating	Terminal	Quantity
Function D, E, F	10(4)A 125/250VAC	40T105/40T125/40T150	5E4
	16(8)A 125/250VAC	40T105/40T125/40T150	1E4
Function D, E	26(10)A 125/250VAC	40T85	1E4
	16(6)A 125/250VAC	40T105/40T125	5E4
Function D, E	22A GP 125/250VAC	40T105/40T125	5E4
	2HP 250VAC	40T105/40T125/40T150	1E4
	1HP 125VAC	40T105/40T125/40T150	1E4

FEATURES

- Usage: kitchen machine, Electronic & Electrical device.
用途：廚房機器，電子及電氣設備
- High rating and high endurance
高額定值和高環境使用要求
- With lever option
帶槓桿選項
- Temperature Rating: -25°C~150°C
額定溫度：-25°C~150°C
- Flammability Rating: UL94V-2 / Optional UL94V-0
可燃性等級：UL94V-2 / 可選 UL94V-0

ORDER INFORMATION

D	L	O	1	Q
FUNCTION	RATING	KNOB/LEVER TYPE	Lever Position	TERMINAL
D (ON-OFF)	L 10(4)A 125/250VAC 40T125 5E4	Please see next page	N No Lever	Q
E ON-(OFF)	16(8)A 125/250VAC 40T125 1E4		S Standard Ratio	
F ON-(ON)	H 2HP 250VAC 40T125 1E4		H High Ratio	T
	1HP 125VAC 40T125 1E4			
	26(10)A 125/250VAC 40T85 1E4			
	22A GP 125/250VAC 40T125 5E4			
	16(6)A 125/250VAC 40T125 5E4 (Except Function F)			

INTERNAL USE ONLY

ROCKER SWITCH

ROTARY SWITCH

PUSH SWITCH

MICRO SWITCH

SLIDE SWITCH

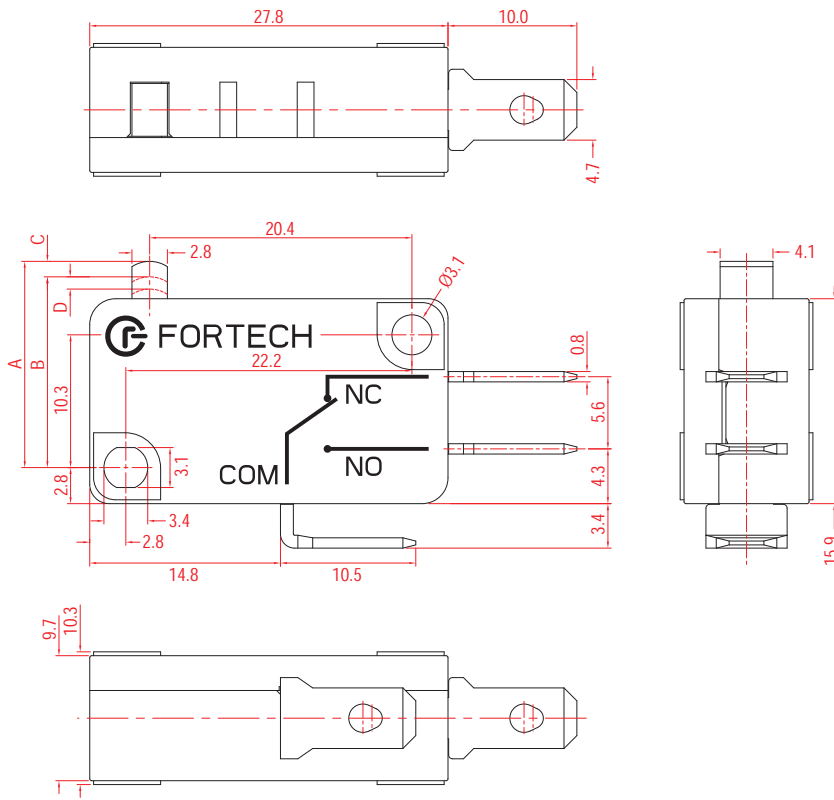
INDICATOR LAMP

AC SOCKET

KEYBOARD SWITCH

TIMER SWITCH

POWER SWITCH

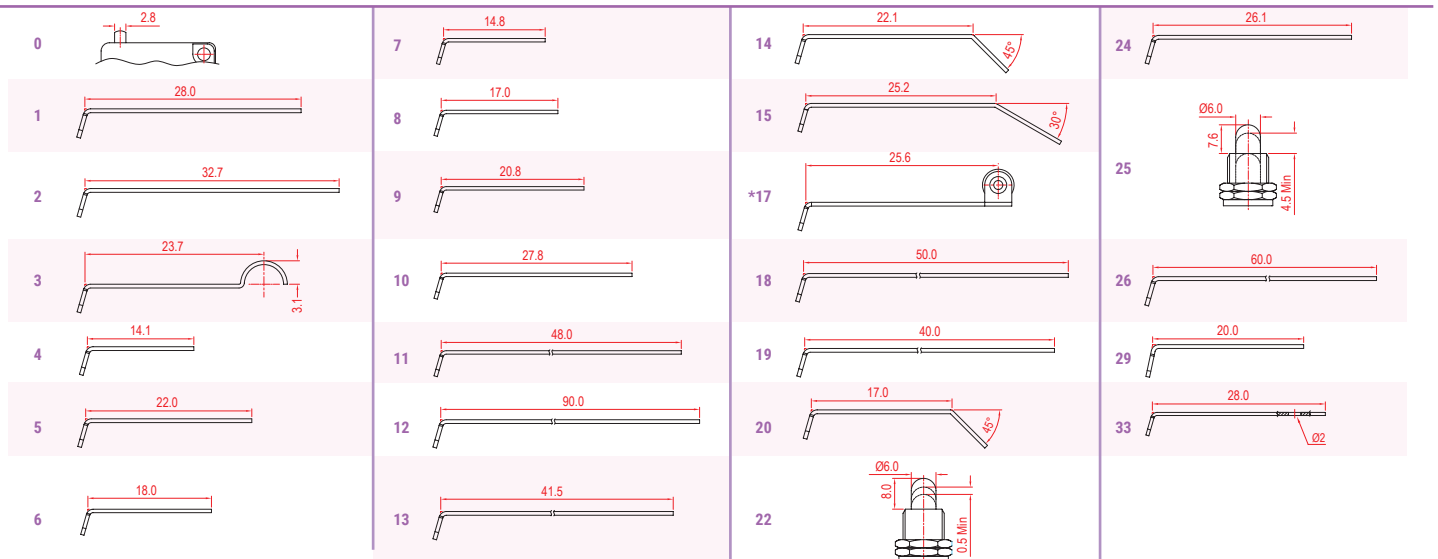


TRAVEL

A. FREE POSITION	16.2mm max
B. OPERATING POSITION	14.8±0.4mm
C. PRE TRAVEL	1.8mm max
D. OVER TRAVEL	0.8mm min

Function Option	Circuit Option
D Single pole normally open contact	
E Single pole normally closed contact	
F NC, NO swap output	

KNOB/LEVER TYPE



*Without tooling for NO.17

ROCKER SWITCH

ROTARY SWITCH

PUSH SWITCH

MICRO SWITCH

SLIDE SWITCH

INDICATOR LAMP

AC SOCKET

KEYBOARD SWITCH

TIMER SWITCH

POWER SWITCH