

# SS-101

## AC SOCKET SS-101 SERIES



ROCKER SWITCH

ROTARY SWITCH

PUSH SWITCH

MICRO SWITCH

SLIDE SWITCH

INDICATOR LAMP

AC SOCKET

KEYBOARD SWITCH

TIMER SWITCH

POWER TOOL SWITCH

### SPECIFICATIONS



10A 250VAC	T70
10A 250VAC	T120

RECOGNIZED COMPONENT



15A 125/250VAC
----------------

### FEATURES

- Usage: Consumer Electronic, Electrical Appliance, Power Supply  
用途：消費電子、電器、電源供應
- Reliable for main power connection  
可靠主電源連接
- Temperature Rating: -10°C~70°C  
額定溫度：-10°C~70°C
- Flammability Rating: UL94V-2 / Optional UL94V-0  
可燃性等級：UL94V-2 / 可選 UL94V-0

### ORDER INFORMATION

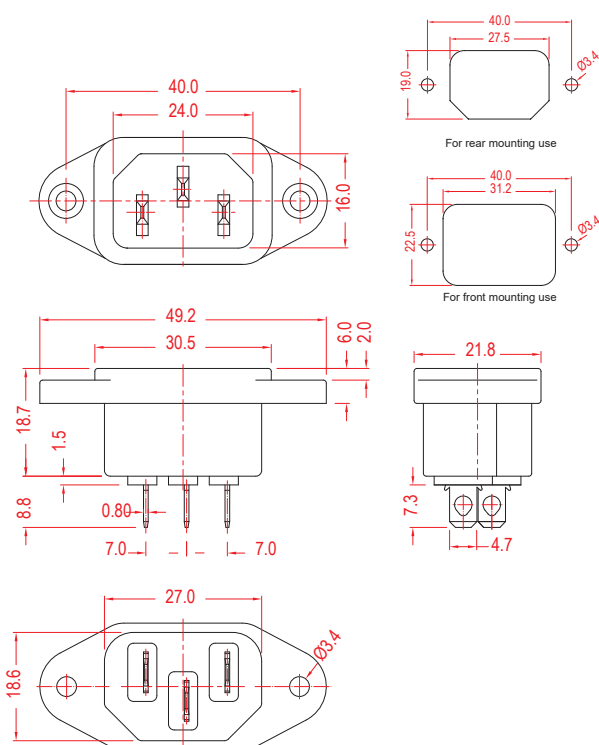
00	0	BK	2	Q
SUB. CAT.	PANEL THICKNESS	BASE COLOR	NO. OF TERMINAL	TERMINAL TYPE
00	0 Not Applicable	BK BLACK	2 2 pins	Q
0H	1 0.8~3.0	WT WHITE	3 3 pins	T
S0	2 1.0	GE GREY		
SH	3 1.5			
W0	4 2.0			
WH	5 3.0			
V0				
VH				

INTERNAL USE ONLY

Remark:

- Panel thickness option "0" for Sub.Cat. 00 & 0H
- Panel thickness option "1"(0.8~3.0mm) for Sub.Cat. W0, WH, V0 & VH
- Panel thickness option "2-5" for Sub.Cat. S0, & SH
- Hot temperature models: 0H,SH,WH & VH series come with 3 pins only.

### SUGGESTED PANEL HOLE SIZE



### SUGGESTED PANEL HOLE SIZE

Panel thickness	x
1.0	1.2
1.5	1.7
2.0	2.2
3.0	3.2

