

LH-680

INDICATOR LAMP LH-680 SERIES



LH-680



LH-680

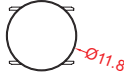
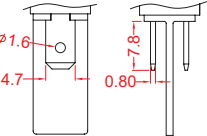
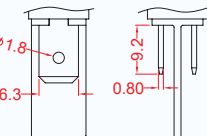
SPECIFICATIONS

| | |
|--|------|
| Neon and Fluorescent bulbs 110(130)V, 230(250)V, 400V | T100 |
| LED 2V, 6V, 12(14)V, 24(28)V, 36V, 48V, 400V, 110V/230V | T85 |

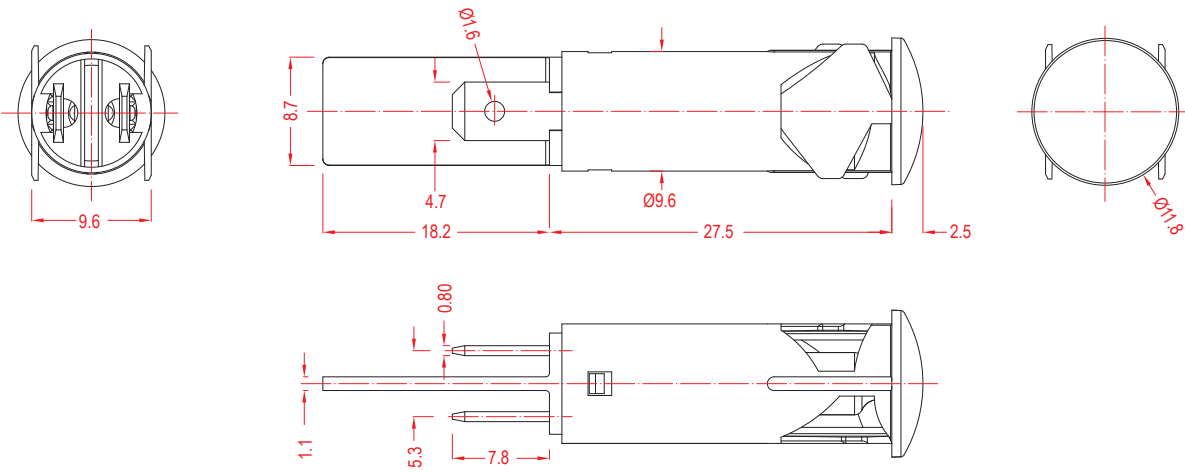
FEATURES

- Usage: Kitchen Machine, Medical Device, Industrial Machine
用途：厨房機械、醫療器械、工業機械
- LED/Neon Lamp options
LED/氖燈選項
- KEMA/ENEC/UL Approval
KEMA/ENEC/UL 認證
- Temperature Rating: -10°C~100°C for Neon Lamp, 10°C~85°C for LED
額定溫度：氖燈-10°C~100°C · LED 10°C~85°C

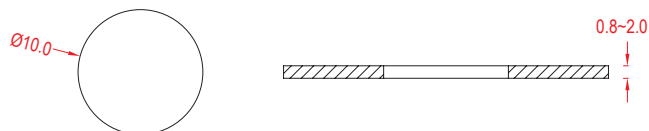
ORDER INFORMATION

| 0 | 1 | OR | N01 | Q | INTERNAL USE ONLY |
|---------------|--|--|--|---|-------------------|
| TYPE | BUTTON TYPE | BUTTON COLOR | LAMP TYPE/VOLTAGE | TERMINAL TYPE/ LEAD WIRE | |
| 0 QC Terminal | 1  | OR AMBER CL CLEAR RE RED GR GREEN | N01 Neon 110(130)V N02 Neon 230(250)V N03 Neon 400V L11 LED 6V L12 LED 12 (14)V L13 LED 24 (28)V L14 LED 2V L15 LED 36V L16 LED 48V L20 LED 400V L21 LED 110V/230V(100~250V) | Q  T  | |

Remarks:
Standard Rating
2~400V=1.0W Max



SUGGESTED PANEL HOLE SIZE



ROCKER SWITCH

ROTARY SWITCH

PUSH SWITCH

MICRO SWITCH

SLIDE SWITCH

INDICATOR LAMP

AC SOCKET

KEYBOARD SWITCH

TIMER SWITCH

POWER TOOL SWITCH