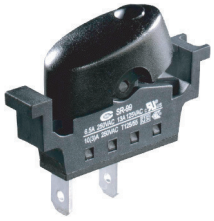




# SR-99 Series

ROCKER SWITCH



SR-99A



SR-99N



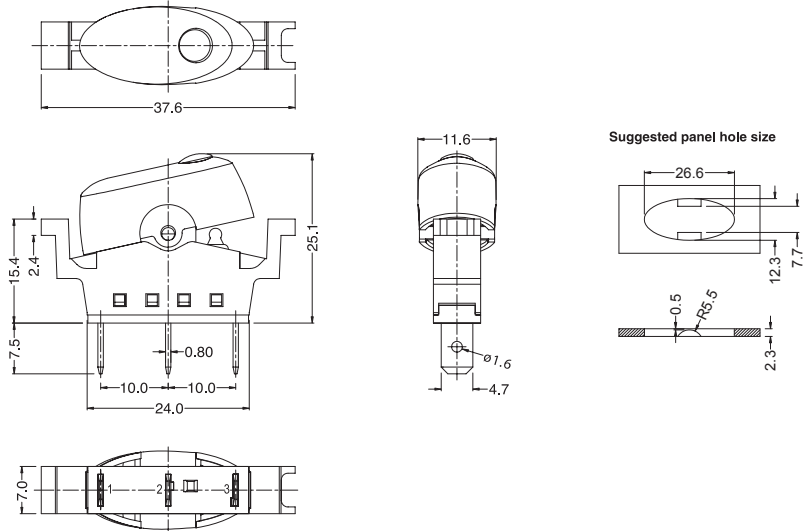
SR-99N

## Specifications:

6(2)A 250VAC T125/55 5E4  
10(3)A 250VAC T125/55



7.5A 250VAC T105  
15A 125VAC



## SR-99

N — H — Q — BK — BK — 1 — 0 — 0 — RE — 4 — □□□□

Function	Current	Terminal Type	Base Color	Button Color	Button Type	Printing	Color of Printing	Small Lens Color	Lamp Voltage	Internal Use Only
A ON-OFF	H 10(3)A 250VAC	Q	BK Black	BK Black	1	0 None	0 None	00 None	0 None	
N ON-OFF w/lamp (Unswitched neutral)	6(2)A 250VAC 5E4 15A 125VAC	S	BK Black	WT White	3	1	1 White	RE Red	3 110V	
				GE Grey		2	2 Black	GR Green	4 220V	
		Q1	BK Black	RE Red	A	3	3 Red	BL Blue		
				GR Green		8	4 Blue	OR Amber		
				BL Blue		9	5 Yellow			
				OR Amber						
		Q2		YE Yellow						
		Q3								