

SR-05

ROCKER SWITCH SR-05 SERIES



SR-05A



SR-05A



SR-05A



SR-05N



SR-05 CAP

SPECIFICATIONS

	6(4)A	250VAC	T85	5E4	
	10(4)A	250VAC	T105/55		
	10(8)A	250VAC	T105/55		
 E199326 *UL1054 approved	8A	250VAC	T105		
	16A	125VAC			
	1/2HP	250VAC	T105		
 E199326 *UL61058-1 approved	1/4HP	125VAC			
	16AGP	125VAC	T105	T105/55	
	10(4)A	125/250VAC	T105	T105/55	
	10(8)A	125/250VAC	T105	T105/55	
	6(4)A	125/250VAC	T85	T105	T105/55 5E4
	1/2HP	125/250VAC	T105	T105/55	6E3
	1/4HP	125/250VAC	T105	T105/55	6E3

FEATURES

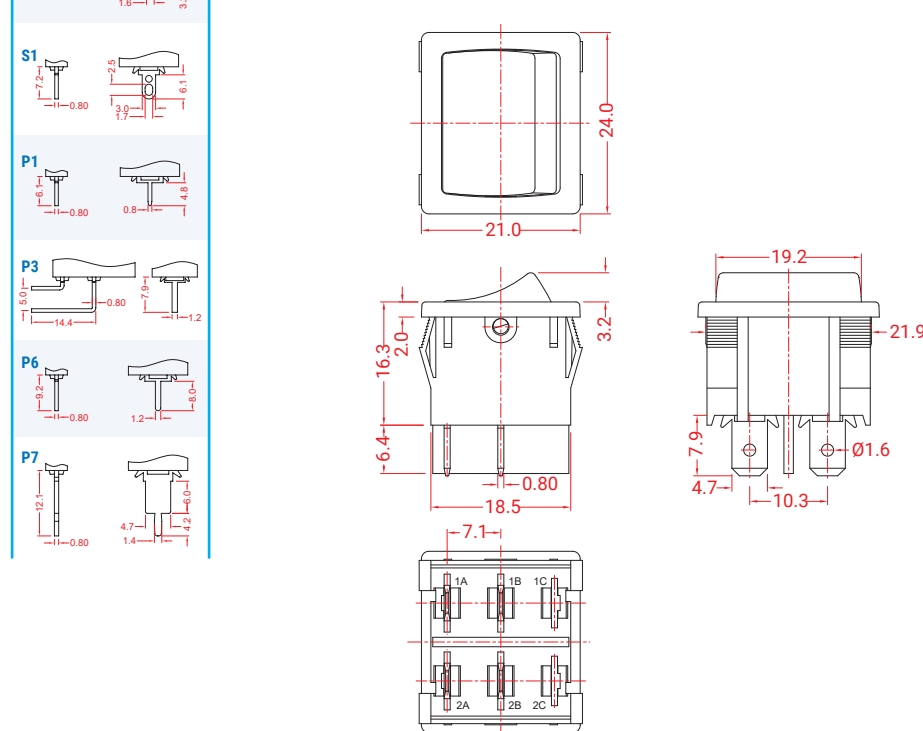
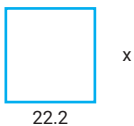
- Usage: General purpose
用途：通用
- Large size design with waterproof cap option
大尺寸設計
- Single Pole, Double Pole option
雙極和單極選項
- With ON-OFF-ON function
具有ON-OFF-ON功能
- Temperature Rating: -10°C~105°C
額定溫度：-10°C~105°C
- Flammability Rating: UL94V-2 / Optional UL94V-0
可燃性等級：UL94V-2 / 可選 UL94V-0

ORDER INFORMATION

A	1	H2	Q	1	BK	BK	1	0	0	0	
FUNCTION	NO. OF POLES	CURRENT	TERMINAL TYPE	BASE TYPE	BASE COLOR	BUTTON COLOR	BUTTON TYPE	PRINTING	COLOR OF PRINTING	LAMP VOLTAGE	INTERNAL USE ONLY
A ON-OFF	1 Single	H2 10(4)A 250VAC	Q	1	BK Black	BK Black	1	0 NONE	0 None	0 None	
B ON-ON	2 Double	6(4)A 250VAC 5E4 16A 125VAC (Except functions A, B, N)	Q1	2	WT White	WT White	2	1	1 White	1 12V	
C ON-OFF-ON		L 10(8)A 250VAC	Q2		GE Grey	GE Grey	3	2	2 Black	2 24V	
D (ON)-OFF		6(4)A 250VAC 5E4	S		RE Red	RE Red	4	3	3 Red	3 110V	
E ON-(OFF)		16A 125VAC	S1		GR Green	GR Green	5	4	4 Blue	4 220V	
F ON-(ON)		1/2HP 250VAC	P1		BL Blue	BL Blue	8	5	5 Yellow		
M ON-OFF-(ON)		1/4HP 125VAC (For A, B, N functions only)	P3		OR Amber	OR Amber	9	OFF ON			
X (ON)-OFF-(ON)			P6		YE Yellow	YE Yellow	A	OFF ON			
N ON-OFF w/lamp			P7								

SUGGESTED PANEL HOLE SIZE

Panel thickness	x
0.75 ~ 1.25	19.2
1.25 ~ 2.0	19.4
2.0 ~ 3.0	19.6



ROCKER SWITCH

ROTARY SWITCH

PUSH SWITCH

MICRO SWITCH

SLIDE SWITCH

INDICATOR LAMP

AC SOCKET

KEYBOARD SWITCH

TIMER SWITCH

POWER TOOL SWITCH