

SR-68-1

ROCKER SWITCH SR-68-1 SERIES



SR-68-1C



SR-68-1K



SR-68-1K

SPECIFICATIONS



10(2)A 250VAC T85/55 5E4

16(3)A 250VAC T85/55

RECOGNIZED COMPONENT



Conforms to UL STD. 61058-1.
Certified To CSA STD. C22.2
No. 61058-1.

16(3)A 125/250VAC T85



4006154



10.1A 250VAC T85

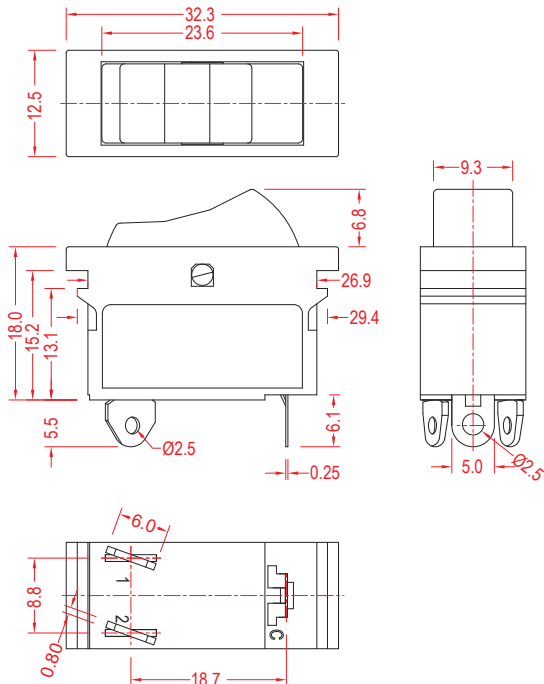
16A 125VAC

FEATURES

- Usage: Haircare
用途：美髮產品
- Single Pole
單極
- With circuit option design
帶電路選項設計
- Temperature Rating: -10°C~85°C
額定溫度：-10°C~85°C
- Flammability Rating: UL94V-2 / Optional UL94V-0
可燃性等級：UL94V-2 / 可選 UL94V-0

ORDER INFORMATION

A	L	BK	BK	0	0	0	1	INTERNAL USE ONLY
FUNCTION	CURRENT	BASE COLOR	BUTTON COLOR	BUTTON TYPE	PRINTING	COLOR OF PRINTING	BASE TYPE	
A OFF-ON ₁₊₂	L 16(3)A 250VAC	BK Black	BK Black	0 NONE	0 NONE	0 None	1	
C ON ₁ -OFF-ON ₂	16A 125VAC		WT White	1	1	1 White	2	
K OFF-ON ₁ -ON ₁₊₂	H 16(3)A 250VAC		GE Grey	4	2	2 Black		
W ON ₁ -ON ₂ -ON ₁₊₂	10(2)A 250VAC 5E4		RE Red		3	3 Red		
	16A 125VAC		GR Green	5	4	4 Blue		
			BL Blue		5	5 Yellow		
			OR Amber		6	6 Silver		
			YE Yellow		7			
					8			
					9			
					A			
					B			
					C			
					D			
					E			
					F			
					G			
					H			



ROCKER SWITCH

ROTARY SWITCH

PUSH SWITCH

MICRO SWITCH

SLIDE SWITCH

INDICATOR LAMP

AC SOCKET

KEYBOARD SWITCH

TIMER SWITCH

POWER TOOL SWITCH