

SB-52

PUSH SWITCH SB-52 SERIES



SB-52A



SB-52A



SB-52N



SB-52N

SPECIFICATIONS

 IP65 waterproof protection for button type no.6(SGS approved)	10(6)A	250VAC	T105	5E4
	16(6)A	250VAC	T105	
 E199326 For A,D,N functions only	10A	250VAC	T105	
	16A	125VAC		
	1/2HP	250VAC	T105	
	1/4HP	125VAC		
RECOGNIZED COMPONENT Conforms to UL STD.61058-1. Certified To CSA STD.C22.2 No. 61058-1.	10(6)A	250VAC	T105	5E4
	16(6)A	250VAC	T105	
	10A GP	250VAC	T105	
	16A GP	125VAC	T105	

FEATURES

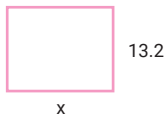
- Usage: haircare, water heater, coffee machine, high power
用途：美髮、熱水器、咖啡機、高功率
- High rating design for main power switch
主電源開關的高額定值設計
- With indicator lamp option
帶指示燈選項
- Waterproof button IP65 option
防水按鈕 IP65 選項
- Single Pole, Double Pole option
單極、雙極選項
- Temperature Rating: -10°C~105°C
額定溫度：-10°C~105°C
- Flammability Rating: UL94V-2 / Optional UL94V-0
可燃性等級：UL94V-2 / 可選 UL94V-0

ORDER INFORMATION

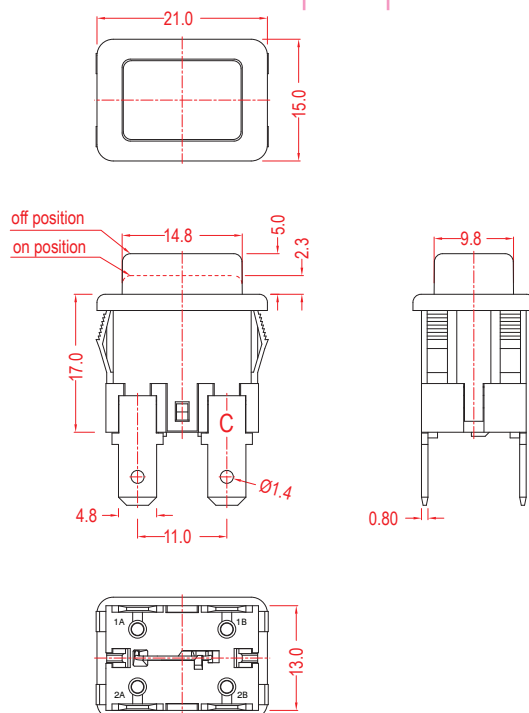
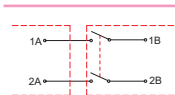
A	1	L	BK	BK	1	1	0	0	Q	0	
FUNCTION	NO. OF POLES	CURRENT	BASE COLOR	KNOB COLOR	BASE TYPE	KNOB TYPE	PRINTING	COLOR OF PRINTING	TERMINAL TYPE	LAMP VOLTAGE	INTERNAL USE ONLY
A ON-OFF w/lock	1 Single	L 16(6)A 250VAC 10(6)A 250VAC 5E4	BK Black	BK Black	1	1	0 NONE	0 None	Q	0 None	
D (ON)-OFF (ON)-OFF w/sound	2 Double	16A 125VAC 1/2HP 250VAC 1/4HP 125VAC For A,D,N Functions only	WT White	WT White		2	1	1 White	T	1 12V	
N ON-OFF w/lamp		L 16(6)A 250VAC 10(6)A 250VAC 5E4 For R Function only	GE Grey	GE Grey	2	3		2 Black	Q1	2 110V	
R (ON)-OFF w/lamp			RE Red	RE Red		6		3 Red	T1	3 220V	
			GR Green	GR Green		7		4 Blue	P2		
			BL Blue	BL Blue				5 Yellow	P3		
			OR Amber	OR Amber					P7		
			YE Yellow	YE Yellow					S		
									Q2		

SUGGESTED PANEL HOLE SIZE

Panel thickness	x
0.75 ~ 1.25	19.2
1.25 ~ 2.0	19.4
2.0 ~ 3.0	19.6



CIRCUIT DIAGRAM



ROCKER SWITCH

ROTARY SWITCH

PUSH SWITCH

MICRO SWITCH

SLIDE SWITCH

INDICATOR LAMP

AC SOCKET

KEYBOARD SWITCH

TIMER SWITCH

POWER TOOL SWITCH