

MC23 Micro Switch



Features and Usage:

- Degree of protection: IP65&IP67
- Many different switch characteristics, actuators and terminations resulting in thousands of potential configurations
- Choice of actuator on 3 possible fixing positions
- Can be used in environment resistant places and application, outdoor apparatus such as automobile, vending machine, refrigerator, ice machine, bath equipment, water heater and air-conditioner etc.

Specifications:

Electrical

Temperature Rating: -40°C to 125°C

Flammability Rating: UL94V-0

Electrical Ratings

0.1A 48Vdc 40T125 5E4

0.5A 125/250Vac 40T125 5E4

5AGP 125/250Vac 40T125 5E4

6A 30Vdc 40T125 5E4

10(3)A 125/250Vac 40T125 1E4

10AGP 125/250Vac 40T125 1E4

1/6hp 125Vac 40T125 1E4

1/3hp 250Vac 40T125 1E4

UL Approval Pending

0.1A 48Vdc 40T125 5E4

0.5A 125/250Vac 40T125 5E4

5AGP 125/250Vac 40T125 5E4

6A 30Vdc 40T125 5E4

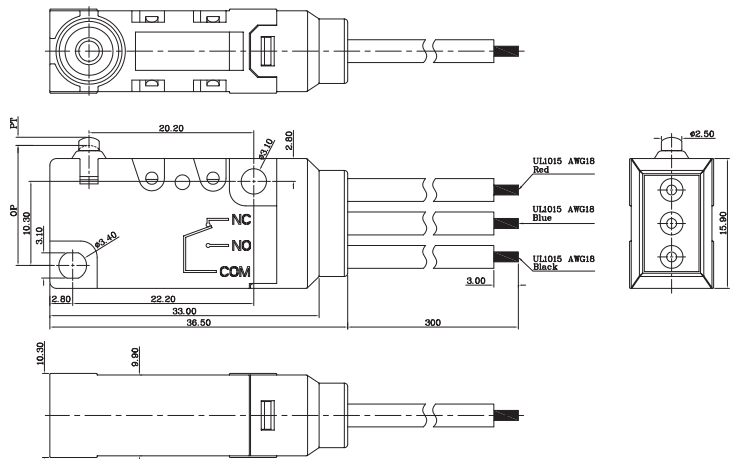
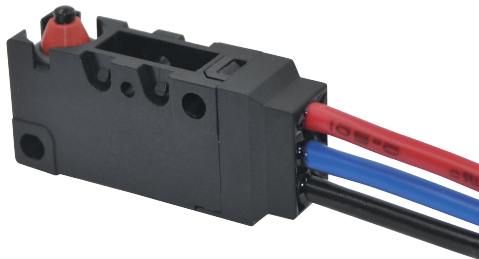
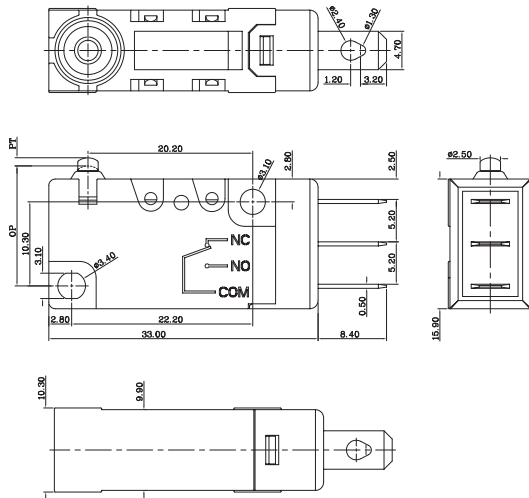
10(3)A 125/250Vac 40T125 1E4

10AGP 125/250Vac 40T125 1E4

KEMA ENEC CB Approval Pending

Operating Force	OF Max.	Refer to
Releasing Force	RF Min.	2nd Page
Pretravel	PT Max.	1.2mm
Overtravel	OT Min.	1.0mm
Movement Differential	MD Max.	0.4mm
Operating Position	OP	14.7± 0.4mm

Dimensions (mm)



Order Information

MC23

Protection Type	Function	Rating	Operating Force Max. without lever	Lever Location	Knob / Lever Type	Terminal / Wiring	Internal Use Only	
W1 IP65	D (ON)-OFF 	S 0.1A 48Vdc 40T125 5E4 u 0.5A 125/250Vdc 40T125 5E4 u	*1	50g.f	N 	Please refer to No.1-7		
			*2	100g.f				
	E (ON)-OFF 	M 5GPA 125/250Vac 40T125 5E4 u 6A 30Vdc 40T125 5E4 u 1/6hp 125Vac 40T125 1E4 u 1/3hp 250Vac 40T125 1E4 u	*3	150g.f	S 			
			4	200g.f				
W2 IP67	F (ON)-(ON) 	L 10(3)A 123/250Vac 40T125 1E4 u 10GPA 125/250Vac 40T125 1E4 u 10A 125/250Vac 40T125 1E4 u	*5	300g.f				
			*Without tooling for NO.1,NO.2,NO.3,NO.5					

Operating Force Max. without lever	Releasing Force Min. without lever
*1 50g.f	15g.f
*2 100g.f	30g.f
*3 150g.f	40g.f
4 200g.f	60g.f
*5 300g.f	80g.f

*Without tooling for
NO.1, NO.2, NO.3, NO.5

Knob / Lever Type		
0		*4
*1		*5
*2		*6
*3		*7

*Without tooling for NO.1,NO.2,NO.3,NO.4,NO.5,NO.6,NO.7