

# SR-11

## ROCKER SWITCH SR-11 SERIES



SR-11A



SR-11B



SR-11C



SR-11F



SR-11M



SR-11 CAP

### SPECIFICATIONS

	3A	250VAC	T85
	6A	250VAC	T85
	3A	250VAC	T85
	6A	125VAC	
	6A	250VAC	T85
	12A	125VAC	

### FEATURES

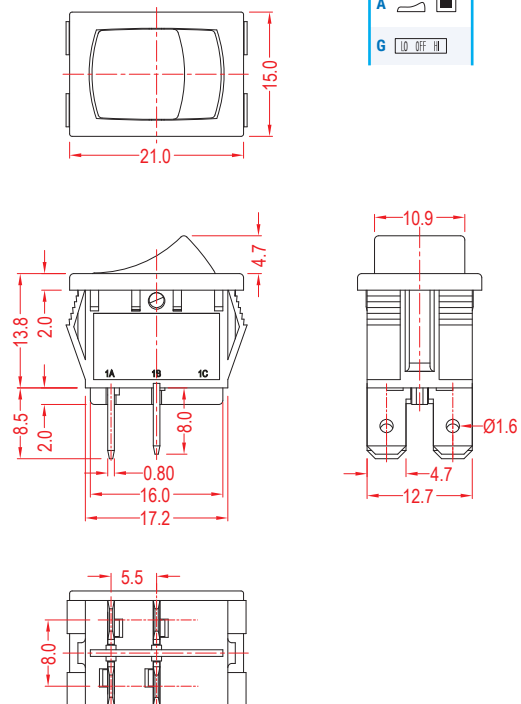
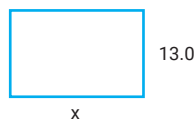
- Usage: General purpose  
用途：通用
- Standard small size with waterproof cap option  
標準小尺寸·帶防水帽選項
- Single Pole, Double Pole option, Separation plate option  
單極·雙極選項·帶隔板
- With ON-OFF-ON function  
帶ON-OFF-ON功能
- Temperature Rating: -10°C~85°C  
額定溫度：-10°C~85°C
- Flammability Rating: UL94V-2 / Optional UL94V-0  
可燃性等級：UL94V-2 / 可選 UL94V-0

### ORDER INFORMATION

A	1	S	Q	1	BK	BK	2	0	0
FUNCTION	NO. OF POLES	CURRENT	TERMINAL TYPE	BASE TYPE	BASE COLOR	BUTTON COLOR	BUTTON TYPE	PRINTING	COLOR OF PRINTING
A ON-OFF	1 Single	S 3A 250VAC	Q	1	BK Black	BK Black	2	0 NONE	0 None
B ON-ON	2 Double	6A 125VAC	Q1	2	WT White	WT White		1	1 White
C ON-OFF-ON		M 6A 250VAC 12A 125VAC	P1		GE Grey	GE Grey		2	2 Black
					RE Red	RE Red		3	3 Red
					GR Green	GR Green		4	4 Blue
					BL Blue	BL Blue		5	5 Yellow
					OR Amber	OR Amber		6	
					YE Yellow	YE Yellow		7	
								8	
								9	
								A	
								G	

### SUGGESTED PANEL HOLE SIZE

Panel thickness	x
0.75 ~ 1.25	19.2
1.25 ~ 2.0	19.4
2.0 ~ 3.0	19.6



ROCKER SWITCH

ROTARY SWITCH

PUSH SWITCH

MICRO SWITCH

SLIDE SWITCH

INDICATOR LAMP

AC SOCKET

KEYBOARD SWITCH

TIMER SWITCH

POWER TOOL SWITCH