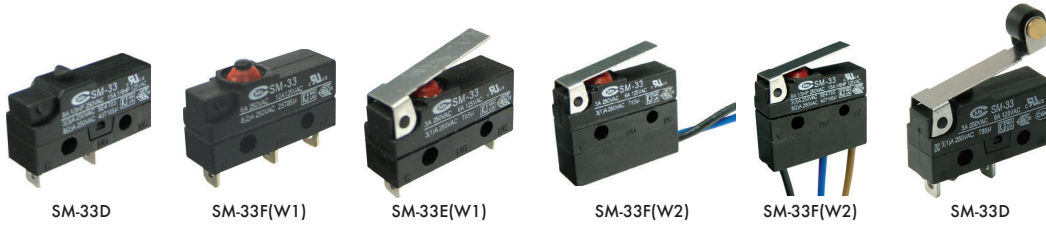




SM-33 Series



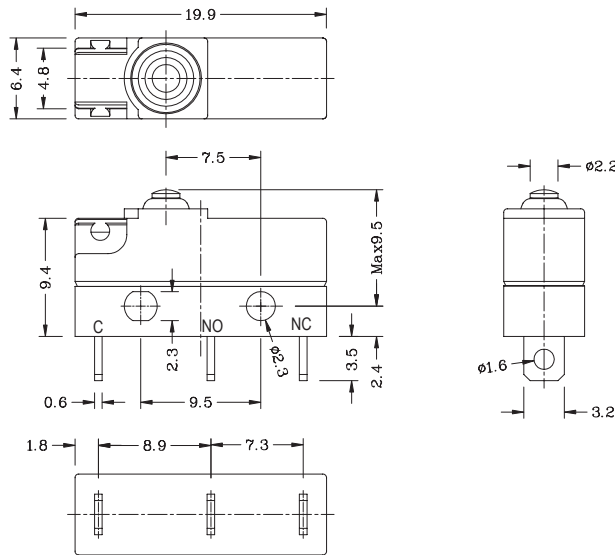
Specifications:

3(1)A	250VAC	T85	
3(3)A	250VAC	T85	5E4
8(2)A	250VAC	25T85	
8(2)A	250VAC	40T105	

IP55 waterproof protection for housing type no.W1 (KEMA, ENEC approved)
 IP67 waterproof protection for housing type no.W2 (KEMA, ENEC approved)



3A	250VAC	T105
6A	125VAC	T105
6A	250VAC	T105
12A	125VAC	T105
8A	250VAC	T105
15A	125VAC	T105
1/3HP	250VAC	T105
1/6HP	125VAC	T105



SM-33

F		S		3		W1		BK		S		0		Internal Use Only	
Function	Current	*Operating Force Options		Housing Type		Housing Color		Terminal Type				Lever			
D (ON-OFF)	S 3(1)A 250VAC	1	60g.f	1	Standard	BK	Black	S	P2	0	None				
E ON-OFF	6A 125VAC	2	100g.f	1	Standard			S2	P3	1	17.0				
F ON-ON	M 8(2)A 250VAC	3	150g.f	W1	Waterproof			H	B	3	33.0				
	12A 125VAC	4	200g.f	W2	Waterproof			P	C	4	41.0				
	L 8(2)A 250VAC							P1	D	7	18.0				
	3(3)A 250VAC 5E4									9	17.0				
	15A 125VAC									10	19.1				
	1/3HP 250VAC									14	17.2				
	1/6HP 125VAC														

* 60g.f not apply to L Rating
 * Operating force measured at the knob

MICRO SWITCH