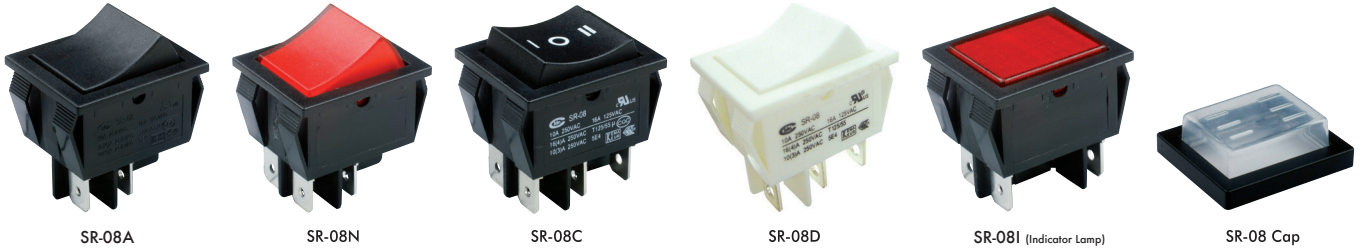




SR-08 Series

ROCKER SWITCH

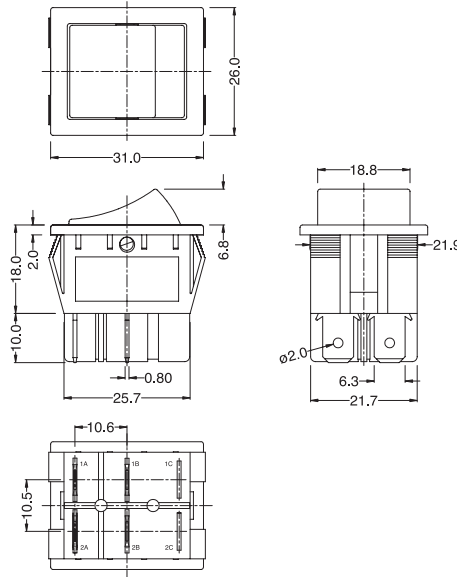


Specifications:

10(3)A	250VAC	T125/55	5E4
16(4)A	250VAC	T125/55	
★10(8)A	250VAC	T125/55	

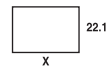


10A	250VAC	T125
16A	125VAC	T125
10.1A	250VAC	T125
20A	125VAC	T125
1/2HP	250VAC	T125
1/4HP	125VAC	T125



Suggested panel hole size

Panel thickness	X
1.0~1.5	29.0
1.5~2.0	29.4
2.0~3.0	29.8



SR-08

A — 2 — G — T — 1 — BK — BK — 2 — 0 — 0 — 0 — □□□□

Function	No. of Poles	Current	Terminal Type	Base Type	Base Color	Button Color	Button Type	Printing	Color of Printing	Lamp Voltage	Internal Use Only
A ON-OFF	1 Single	G 16(4)A 250VAC	T		BK Black	BK Black	1	0 None	0 None	0 None	<div style="writing-mode: vertical-rl; transform: rotate(180deg);">Internal Use Only</div>
B ON-ON	2 Double	10(3)A 250VAC 5E4 20A 125VAC (Except function I)	T		WT White	WT White	1	1	1 White	1 12V	
C ON-OFF-ON	1 Single	H 16(4)A 250VAC 10(3)A 250VAC 5E4 (For A, B, N functions only)	T1	GE Grey	GE Grey	2	2	2 Black	2 24V		
D (ON)-OFF			T1	RE Red	RE Red	3	3	3 Red	3 110V		
E ON-(OFF)	1 Single	H 16(4)A 250VAC 10(3)A 250VAC 5E4 (For A, B, N functions only)	T2	GR Green	GR Green	4	4	4 Blue	4 220V		
F ON-(ON)			T2	BL Blue	BL Blue	1	5	5 Yellow			
M ON-OFF-(ON)	1 Single	H 16(4)A 250VAC 10(3)A 250VAC 5E4 (For A, B, N functions only)	T2	OR Amber	OR Amber	6	6				
X (ON)-OFF-(ON)			T2	YE Yellow	YE Yellow	7	7				
N ON-OFF w/lamp	1 Single	H 16(4)A 250VAC 10(3)A 250VAC 5E4 (For A, B, N functions only)	T2			8	8				
I Indicator			T2			9	9				
	1 Single	H 16(4)A 250VAC 10(3)A 250VAC 5E4 (For A, B, N functions only)	Q			A	A				
			S			D	D				
	1 Single	H 16(4)A 250VAC 10(3)A 250VAC 5E4 (For A, B, N functions only)	P			F	F				

*For this option, please call factory for details