

# SR-62

## ROCKER SWITCH SR-62 SERIES



SR-62

### SPECIFICATIONS



16(4)A 250VAC T125/55 T105

16A GP 125/250VAC T125/55 T105

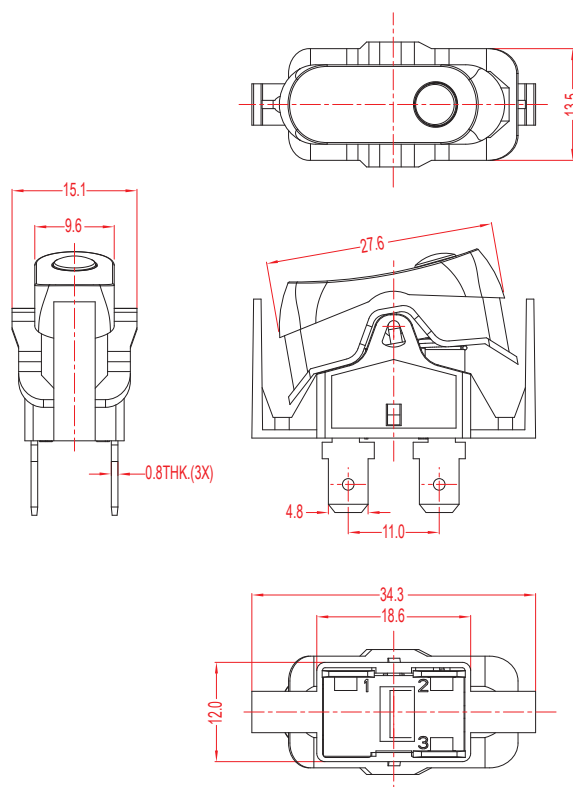
6(2)A 250VAC T125/55 T105 5E4

### FEATURES

- Usage: General purpose  
用途：通用
- Single Pole  
單極
- Good optimizing hand feeling  
良好的優化手感
- Temperature Rating: -10°C~125°C  
額定溫度：-10°C~125°C
- Flammability Rating: UL94V-2 / Optional UL94V-0  
可燃性等級：UL94V-2 / 可選 UL94V-0

### ORDER INFORMATION

A	L	1	BK	1	BK	00	0	Q	0	INTERNAL USE ONLY
FUNCTION	CURRENT	BASE TYPE	BASE COLOR	BUTTON TYPE	BUTTON COLOR	SMALL LENS COLOR	PRINTING	TERMINAL TYPE	LAMP VOLTAGE	
A ON-OFF	L 6(2)A 250VAC	T125/55 T105 5E4	BK Black	1	BK Black	00 None	0 NONE	Q	0 None	
D (ON)-OFF	16A GP 125/250VAC	T125/55 T105			WT White	RE Red	1 - =	T	1 12VAC	
N ON-OFF w/lamp	16(4)A 250VAC	T125/55 T105				GR GREEN	2		2 24VAC	
R (ON)-OFF w/lamp						BL Blue	3 ○ -		3 110VAC	
						OR AMBER	4 ○		4 220VAC	
									5 2VDC	
									6 6VDC	
									7 36VDC	
									8 48VDC	



### NOTES

1. CIRCUIT:

