

SR-06NR

ROCKER SWITCH SR-06NR SERIES

ROCKER SWITCH
ROTARY SWITCH
PUSH SWITCH
MICRO SWITCH
SLIDE SWITCH
INDICATOR LAMP
AC SOCKET
KEYBOARD SWITCH
TIMER SWITCH
POWER TOOL SWITCH



SR-06NR-A



SR-06NR-I



SR-06NR-N



SR-06NR-N



SR-06NR-N



SR-06NR-Y



SR-06NR CAP

SPECIFICATIONS

3A 250VAC T85 T125/55

6.5A 250VAC T85 T125/55

8A 250VAC T85 T125/55

13A 250VAC T85 15E3

6(3)A 250VAC T85 5E4

6(6)A 250VAC T85 5E4

10(3)A 250VAC T85

10(8)A 250VAC T85 T105/55

3A 250VAC T125

6A 125VAC

6.5A 250VAC T125

13A 125VAC

8A 250VAC T125

16A 125VAC

6A GP 125VAC T100 T105 T105/55

13A GP 125VAC T100 T105 T105/55

16A GP 125VAC T100 T105 T105/55

10(3)A 250VAC T100 T105 T105/55

10(3)A 125VAC T100 T105 T105/55

10(8)A 250VAC T100 T105 T105/55

10(8)A 125VAC T100 T105 T105/55

6(6)A 250VAC T100 T105 T105/55 5E4

6(6)A 125VAC T100 T105 T105/55 5E4

13A 250VAC T100 T105 T105/55 15E3

13A 125VAC T100 T105 T105/55 15E3

1/3 HP 250VAC T100 T105 T105/55 6E3

1/3 HP 125VAC T100 T105 T105/55 6E3

1/2 HP 250VAC T100 T105 T105/55 6E3

1/2 HP 125VAC T100 T105 T105/55 6E3



FEATURES

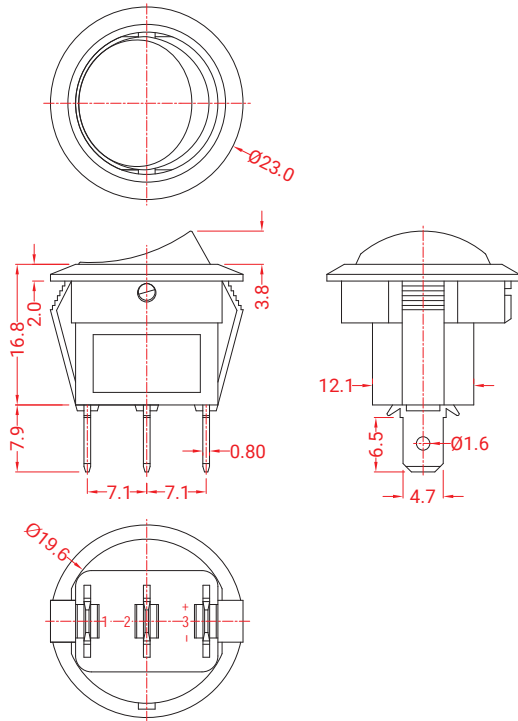
- Usage: General purpose, Electronic & Electrical devices
用途：通用・電子及電氣設備
- Standard small size, Round button design with waterproof cap option
標準小尺寸・圓形按鈕設計・帶防水帽選項
- Single Pole
單極
- Wide range function / LED lamp option / Indicator function option
廣範功能/LED燈選項/指示燈功能選項
- Temperature Rating: -10°C~125°C
額定溫度：-10°C~125°C
- Flammability Rating: UL94V-2 / Optional UL94V-0
可燃性等級：UL94V-2 / 可選 UL94V-0

ORDER INFORMATION

A	H2	Q
FUNCTION	CURRENT	TERMINAL TYPE
A ON-OFF	H2 10(3)A 250VAC	Q
B ON-ON	8A 250VAC	Q1
C ON-OFF-ON	13A 125VAC (Except function I)	Q2
D (ON)-OFF	L 6(6)A 250VAC 5E4	Q2
E ON-(OFF)	10(8)A 250VAC	Q2
M ON-OFF-(ON)	13A 250VAC 15E3	Q2
X (ON)-OFF-(ON)	16A 125VAC (For A,N,Y functions only)	Q2
N ON-OFF w/lamp (Unswitched neutral) 		S
Y ON-OFF w/LED lamp 		S1
I Indicator		P1

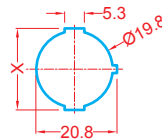
SR-06NR

ROCKER SWITCH SR-06NR SERIES



SUGGESTED PANEL HOLE SIZE

Panel thickness	x
0.75 ~ 1.25	20.3
1.25 ~ 2.0	20.8
2.0 ~ 3.0	21.1



ROCKER SWITCH

ROTARY SWITCH

PUSH SWITCH

MICRO SWITCH

SLIDE SWITCH

INDICATOR LAMP

AC SOCKET

KEYBOARD SWITCH

TIMER SWITCH

POWER TOOL SWITCH

	1	BK	BK	2	0	0	0	00	
	BASE TYPE	BASE COLOR	BUTTON COLOR	BUTTON TYPE	PRINTING	COLOR OF PRINTING	LAMP VOLTAGE	SMALL LENS COLOR	INTERNAL USE ONLY
P2		BK Black	BK Black		0 NONE	0 None	0 None	00 None	
P3		WT White	WT White		1	1 White	1 12V	RE RED	
P6		GE Grey	GE Grey		2	2 Black	2 24V	GR GREEN	
P7		RE Red	RE Red		3	3 Red	3 110V	BL BLUE	
P8		GR Green	GR Green		4	4 Blue	4 220V	OR AMBER	
P9		BL Blue	BL Blue		5	5 Yellow	5 2V		
		OR Amber	OR Amber		6		6 6V		
		YE Yellow	YE Yellow		7		7 36V		
					8		8 48V		
					9				
					A				
					B				
					C				
					D				
					E				