

SB-53

PUSH SWITCH SB-53 SERIES



SPECIFICATIONS



*UL61058-1 approved

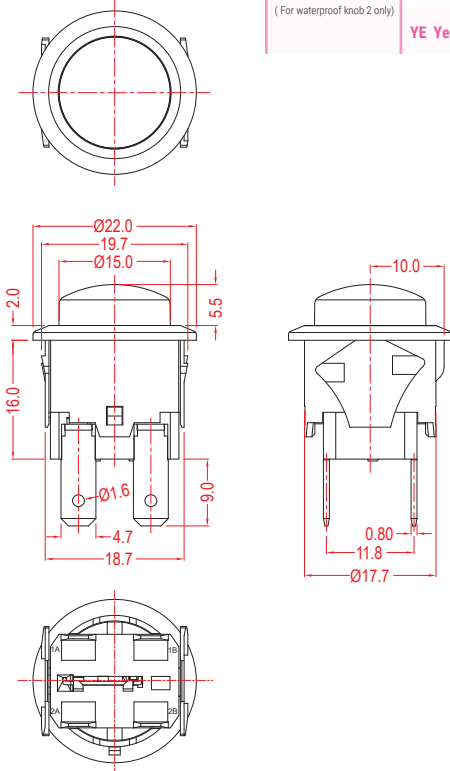
8(8)A	250VAC	T85/55	5E4
8(8)A	250VAC	T125/55	
16(6)A	250VAC	T105/55	
8(8)A	250VAC	T85/55	5E4
16(6)A	125/250VAC	T105/55	
1/2HP	250VAC	T105/55	
1/4HP	125VAC	T105/55	

FEATURES

- Usage: cleaning machine, water heater, high power
用途：清洗機、熱水器、高功率
- Round button design
圓形按鈕設計
- High rating design for main power switch
主電源開關的高額定值設計
- With indicator lamp option
帶指示燈選項
- Waterproof button IP65 option
防水按鈕 IP65 選項
- Single Pole, Double Pole option
單極、雙極選項
- Temperature Rating: -10°C~125°C
額定溫度：-10°C~125°C
- Flammability Rating: UL94V-2 / Optional UL94V-0
可燃性等級：UL94V-2 / 可選 UL94V-0

ORDER INFORMATION

A	1	L	1	BK	BK	1	0	0	Q	0	
FUNCTION	NO. OF POLES	CURRENT	BASE TYPE	BASE COLOR	KNOB COLOR	KNOB TYPE	PRINTING	COLOR OF PRINTING	TERMINAL TYPE	LAMP VOLTAGE	INTERNAL USE ONLY
A ON-OFF w/lock	1 Single	L 16(6)A 125/250VAC	1	BK Black	BK Black	1	0 NONE	0 None	Q	0 None	
D (ON)-OFF	2 Double	8(8)A 250VAC	5E4	WT White	WT White		1	1 White	S	1 12V	
N ON-OFF w/lamp		8(8)A 250VAC		GE Grey	GE Grey			2 Black		2 24V	
R (ON)-OFF w/lamp		1/2HP 250VAC		RE Red	RE Red			3 Red		3 110V	
		1/4HP 125VAC		GR Green	GR Green			4 Blue		4 220V	
				BL Blue	BL Blue			5 Yellow			
				OR Amber	OR Amber						
				YE Yellow	YE Yellow						

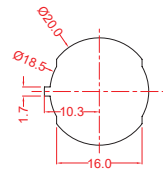


SUGGESTED PANEL HOLE SIZE

Panel thickness

2.0

3.0



CIRCUIT DIAGRAM

