

# ST-702

# ROTARY SWITCH ST-702 SERIES



ST-702



ST-702

## SPECIFICATIONS

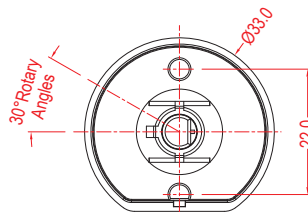
	6(5)A	250VAC	T85
<p>Conforms to UL STD. 61058-1. Certified To CSA STD. C22.2 No. 61058-1.</p>	6(5)A	250VAC	T85
	13A GP	125VAC	

## FEATURES

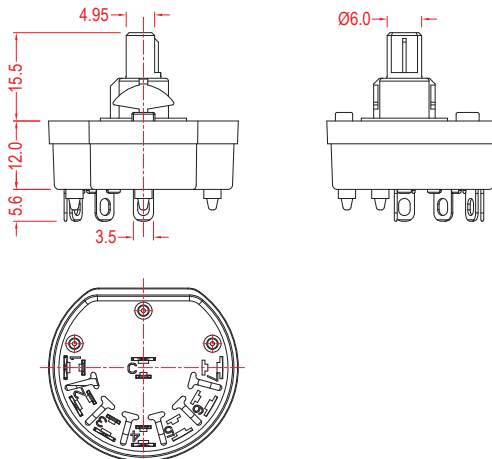
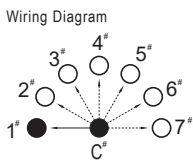
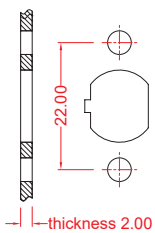
- Usage: Food processor, Washing machine, Coffee Machine, Oven, Audio  
用途：食品處理器、洗衣機、咖啡機、烤箱、音響
- Max 7 positions with specified circuit option  
具有特定電路選項·最多 7 個檔位
- Screw nut / Wing Plate hold fixing  
螺絲螺母/翼仔板夾固定
- Temperature Rating: -10°C~85°C  
額定溫度：-10°C~85°C
- Flammability Rating: UL94V-2 / Optional UL94V-0  
可燃性等級：UL94V-2 / 可選 UL94V-0

## ORDER INFORMATION

<p><b>12</b></p> <p><b>CIRCUIT</b></p> <p>12 13 14 15 16 17</p> <p><b>14</b> No. of position Single pole</p> <p>Please call factory for detail circuit diagram</p> <p><b>R2</b> <b>R3</b> R3 R4 R5 R6 R7</p> <p><b>R3</b> No. of position Single pole with spring return right</p> <p>Please call factory for detail circuit diagram</p> <p><b>L2</b> <b>L3</b> L3 L4 L5 L6 L7</p> <p><b>L3</b> No. of position Single pole with spring return left</p> <p>Please call factory for detail circuit diagram</p>	<p><b>M</b></p> <p><b>CURRENT</b></p> <p><b>M</b> 6(5)A 250VAC 13A GP 125VAC</p>	<p><b>3</b></p> <p><b>HOUSING TYPE</b></p> <p>3</p> <p>4</p>	<p><b>1</b></p> <p><b>HANDLE TYPE</b></p> <p>1</p> <p>2</p> <p>3</p>	<p><b>S</b></p> <p><b>TERMINAL TYPE</b></p> <p>S</p> <p>P</p>	<p><b>BK</b></p> <p><b>BASE COLOR</b> BK Black</p> <p><b>INTERNAL USE ONLY</b></p>
---	--	--	--	---	--



## SUGGESTED PANEL HOLE SIZE



ROCKER SWITCH

ROTARY SWITCH

PUSH SWITCH

MICRO SWITCH

SLIDE SWITCH

INDICATOR LAMP

AC SOCKET

KEYBOARD SWITCH

TIMER SWITCH

POWER TOOL SWITCH