

SB-30

PUSH SWITCH SB-30 SERIES



SB-30A



SB-30A



SB-30D

SPECIFICATIONS

	3A	250VAC	T85	
	6(3)A	250VAC	T85	5E4
	10(3)A	250VAC	T85	
	3A	250VAC	T125	
	6A	125VAC		
	8A	250VAC	T125	
	16A	125VAC		

FEATURES

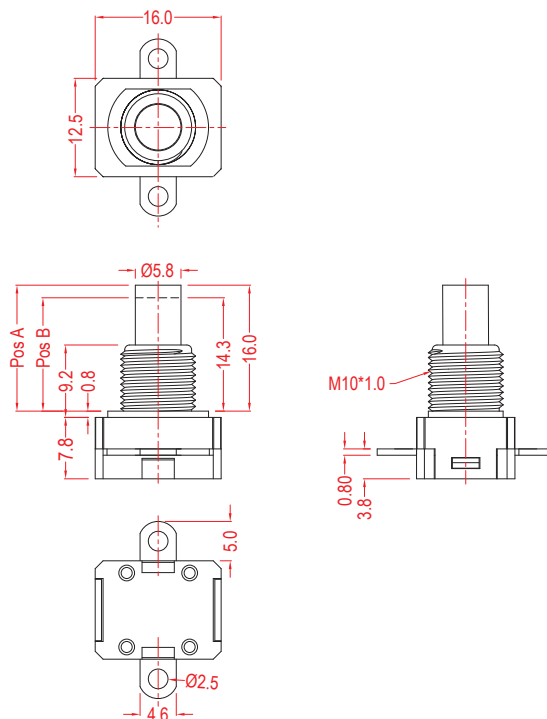
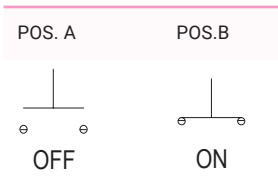
- Usage: lighting
用途：照明
- High button design. Wing/Nut fixing housing option
高按鍵設計。翼形/螺母固定外殼選項
- Single Pole
單極
- Temperature Rating: -10°C~125°C
額定溫度：-10°C~125°C
- Flammability Rating: UL94V-2 / Optional UL94V-0
可燃性等級：UL94V-2 / 可選 UL94V-0

ORDER INFORMATION

A	S	BK	BK	1	1	S	
FUNCTION	CURRENT	BASE COLOR	KNOB COLOR	HOUSING TYPE	KNOB TYPE	TERMINAL TYPE	INTERNAL USE ONLY
A ON-OFF W/LOCK	S 3A 250VAC	BK Black	BK Black	1	1	S	
D (ON)-OFF	6A 125VAC			2	2	Q	
	H 10(3)A 250VAC						
	6(3)A 250VAC 5E4						
	16A 125VAC						

*Remarks: Screw nut is available on request.

CIRCUIT DIAGRAM



ROCKER SWITCH

ROTARY SWITCH

PUSH SWITCH

MICRO SWITCH

SLIDE SWITCH

INDICATOR LAMP

AC SOCKET

KEYBOARD SWITCH

TIMER SWITCH

POWER TOOL SWITCH