



# SR-06 Series

ROCKER SWITCH

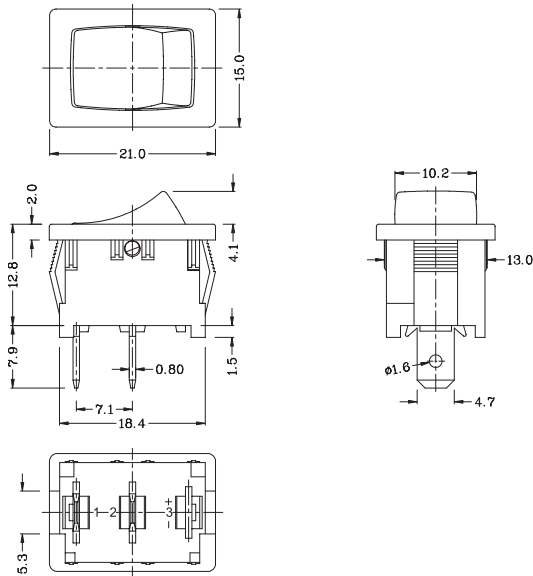


## Specifications:

6(6)A 250VAC T85 5E4  
 8A 250VAC T85 T125/55  
 10(3)A 250VAC T85  
 13A 250VAC T85 15E3  
 IP54 waterproof protection for button type no. 9 (SGS approved)



8A 250VAC T125  
 16A 125VAC



Suggested panel hole size

Panel thickness	X
0.75-1.25	19.2
1.25-2.0	19.4
2.0-3.0	19.6



## SR-06

A H2 Q 1 BK BK 2 0 0 0

Function	Current	Terminal Type	Base Type	Base Color	Button Color	Button Type	Printing	Color of Printing	Lamp Voltage	Internal Use Only
A ON-OFF	H2 10(3)A 250VAC	Q	1	BK Black	BK Black	1	0 None	0 None	0 None	
B ON-ON	8A 250VAC	Q	1	WT White	WT White	1	1	1 White	1 12V	
C ON-OFF-ON	16A 125VAC	Q1	1	GE Grey	GE Grey	2	2	2 Black	3 110V	
D (ON)-OFF	(Except function I)	Q1	1	RE Red	RE Red	2	3	3 Red	4 220V	
E ON-OFF	L 6(6)A 250VAC 5E4	Q2	2	GR Green	GR Green	3	4	4 Blue	5 2V	
F ON-(ON)	10(3)A 250VAC	Q2	2	BL Blue	BL Blue	3	5	5 Yellow	6 6V	
M ON-OFF-(ON)	13A 250VAC 15E3	S	3	OR Amber	OR Amber	5	6			
X (ON)-OFF-(ON)	16A 125VAC	S	3	YE Yellow	YE Yellow	5	7			
N ON-OFF w/lamp (Unswitched neutral)	(For A, N, Y functions only)	S1	4			7	8 ON OFF			
Y ON-OFF w/LED lamp		P1	4			7	9 OFF ON			
I Indicator		P2	4			8	A			
		P3	4			9	B			
		P6	4			9	C HIGH OFF LOW			
		P8	4			I	D			
							E			