

SR-13

ROCKER SWITCH SR-13 SERIES



ROCKER SWITCH

ROTARY SWITCH

PUSH SWITCH

MICRO SWITCH

SLIDE SWITCH

INDICATOR LAMP





AC SOCKET

KEYBOARD SWITCH

TIMER SWITCH

POWER TOOL SWITCH

SPECIFICATIONS

	8(8)A	250VAC	T105/55	T125/55	5E4
	10(4)A	250VAC	T105/55	T125/55	5E4
	10(4)A	400VAC	T105/55	T125/55	
	10(6)A	250VAC	T105/55	T125/55	5E4
	16(8)A	250VAC	T105/55	T125/55	
	20(3)A	250VAC	T105/55	T125/55	

IP65 waterproof protection for button type no.3 (SGS approved)



	10A	250VAC	T105		
	16A	125VAC			
	16A	250VAC	T105		
	20A	125VAC			
	1/2HP	250VAC	T105		
	1/4HP	125VAC			
	3/4HP	250VAC/125VAC	T105		
	1HP	250VAC	T105		
	1/2HP	125VAC			

RECOGNIZED COMPONENT



Intertek
4006154
5022251

Conforms to UL STD.61058-1.
Certified To CSA STD.C22.2
No. 61058-1.

	16(8)A	250VAC	T105/55	T125/55	
	8(8)A	250VAC	T105/55	T125/55	5E4
	10(4)A	250VAC	T105/55		5E4
	10(6)A	250VAC		T125/55	5E4
	20(3)A	250VAC		T125/55	
	16A GP	125VAC	T105	T125/55	T105/55
	16A GP	250VAC	T105	T105/55	T125/55
	20A GP	125VAC	T105	T105/55	T125/55

FEATURES

- Usage: General purpose , Marine device, Audio device
用途：通用・船用設備・音頻設備
- Standard size with waterproof cap option
標準尺寸・帶防水帽選項
- Single Pole, Double Pole option, Separation plate option
單極、雙極選項、隔板選項
- Multi- function / Neutral lamp option / Indicator function option
帶ON-OFF-ON功能/中性燈選項/指示燈功能選項
- Waterproof Button (paddle design available) option in IP65
具有 IP65 防水按鈕 (可提供撥片設計) 選項

- Temperature Rating: -10°C~125°C
額定溫度：-10°C~125°C
- Flammability Rating: UL94V-2 / Optional UL94V-0
可燃性等級：UL94V-2 / 可選 UL94V-0

ORDER INFORMATION

A	1	L
FUNCTION	NO. OF POLES	CURRENT
A ON-OFF	1 SINGLE	L 16(8)A 250VAC
B ON-ON		16A 125VAC
C ON-OFF-ON	2 DOUBLE	1/2HP 250VAC
D (ON)-OFF		1/4HP 125VAC
E ON-(OFF)		<small>For C,D,E,F,M,X functions only</small>
F ON-(ON)		G 16(8)A 250VAC
M ON-OFF-(ON)		10(6)A 250VAC 5E4
X (ON)-OFF-(ON)		10(4)A 400VAC
N ON-OFF w/lamp <small>(Unswitched neutral)</small>		20(3)A 250VAC
P ON-OFF w/lamp <small>(Switched neutral)</small>		20A 125VAC
I Indicator		3/4HP 250VAC
		3/4HP 125VAC
		<small>For A,B,N,P functions only</small>
		H 16(8)A 250VAC
		10(4)A 250VAC
		8(8)A 250VAC
		16A 250VAC
		16A 125VAC
		1HP 250VAC
		1/2HP 125VAC
		<small>For A,B,N,P functions only</small>

SR-13

ROCKER SWITCH SR-13 SERIES

ROCKER SWITCH

ROTARY SWITCH

PUSH SWITCH

MICRO SWITCH

SLIDE SWITCH

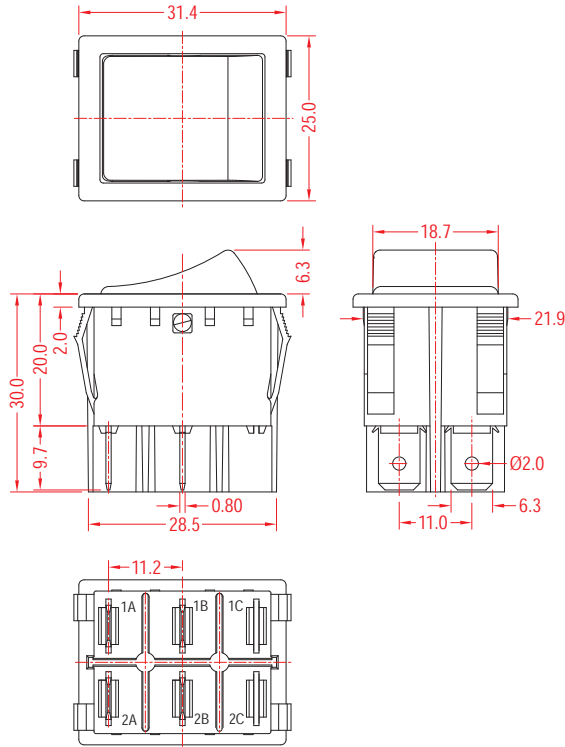
INDICATOR LAMP

AC SOCKET

KEYBOARD SWITCH

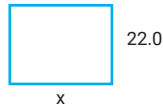
TIMER SWITCH

POWER TOOL SWITCH



SUGGESTED PANEL HOLE SIZE

Panel thickness	x
1.0 ~ 1.5	30.2
1.5 ~ 2.0	30.5
2.0 ~ 3.0	30.8



	T	1	BK	BK	1	0	0	0	00		
	TERMINAL TYPE	BASE TYPE	BASE COLOR	BUTTON COLOR	BUTTON TYPE	PRINTING	COLOR OF PRINTING	LAMP VOLTAGE	SMALL LENS COLOR	INTERNAL USE ONLY	
	T	1	BK Black	BK Black	1 (Except function N&P)	0 NONE	0 None	0 None	00 None		
	T1	2	WT White	WT White	2 (For N&P functions only)	1	1 White	1 12V	RE RED		
	T3	3	GE Grey	GE Grey	3 (For waterproof cap)	2	2 Black	2 24V	GR GREEN		
	Q	4	RE Red	RE Red	4 (Except function N&P)	3	3 Red	3 110V	BL BLUE		
	S	5	GR Green	GR Green	R (For N&P functions only)	4	4 Blue	4 220V	OR AMBER		
	P	6	BL Blue	BL Blue	I (For I function only)	5	5 Yellow				
			OR Amber	OR Amber		6					
			YE Yellow	YE Yellow		7					
						8					
						9					
						A					