



# SM-53 Series



SM-53F



SM-53D

## Specifications:

10(4)A 250VAC T105 5E4  
16(8)A 250VAC 40T105



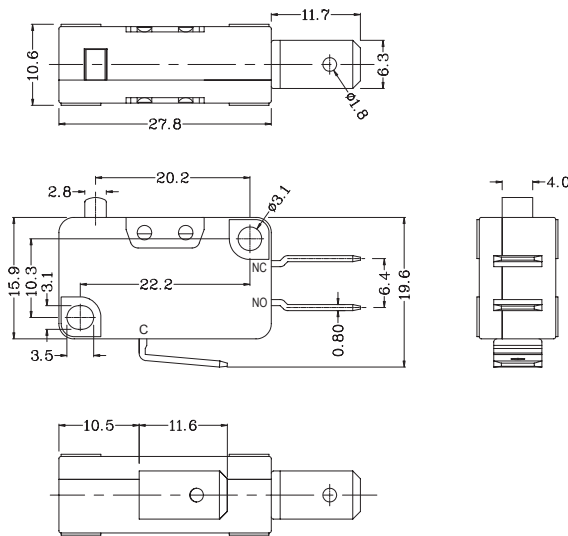
11A 250VAC T105  
16A 125VAC T105  
11A 250VAC T105  
20A 125VAC T105  
1/2HP 250VAC T105  
1/4HP 125VAC



3/4HP 250/125VAC T105 6E3  
10(4)A 250/125VAC T105 1E5



\*UL 61058 approved



## SM-53

Function	Current	Operating Force Options	Base Color	Terminal Type	Lever Position	Lever / Knob Type	Internal Use Only
D (ON)-OFF	H 16(8)A 250VAC	1 60 g.f	BK Black	Q	N No Lever	0	
E ON-(OFF)	10(4)A 250VAC 5E4	2 100 g.f				1	
F ON-(ON)	16A 125VAC	3 150 g.f				3	
	L 16(8)A 250VAC	4 200 g.f		T	H Standard ratio	4	
	10(4)A 250VAC 5E4	5 250 g.f				5	
	20A 125VAC	6 350 g.f					
	1/2HP 250VAC						
	1/4HP 125VAC			T2	High ratio		

\*60g.f not apply to L rating  
\*Operating force measured at the knob

MICRO SWITCH