



SR-66



SR-66



SR-66

ROCKER SWITCH

ROTARY SWITCH

PUSH SWITCH

MICRO SWITCH

SLIDE SWITCH

INDICATOR LAMP

AC SOCKET

KEYBOARD SWITCH

TIMER SWITCH

POWER TOOL SWITCH

SPECIFICATIONS



| | | |
|--------|------------|---------|
| 13(3)A | 125/250VAC | T85 |
| 13A GP | 125/250VAC | T85 |
| 16(3)A | 125/250VAC | T85 |
| 16A GP | 125/250VAC | T85 |
| 10(2)A | 125/250VAC | 5E4 T85 |

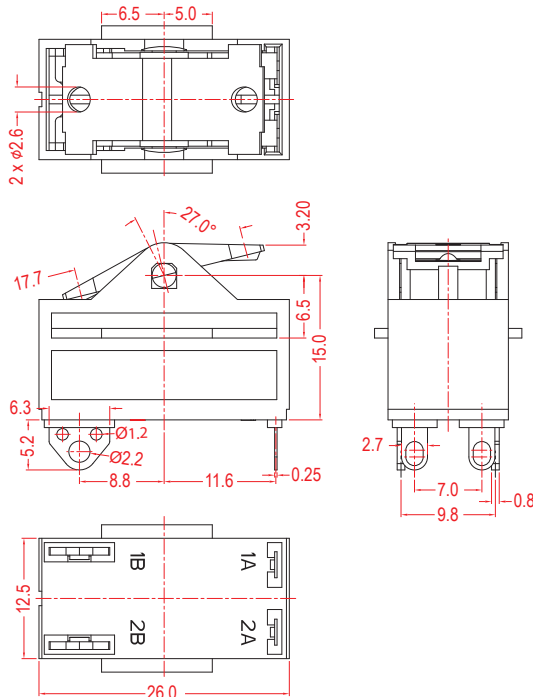
FEATURES

- Usage: Haircare
用途：美髮產品
- Double Pole
雙極
- With circuit option design
帶電路選項設計
- Temperature Rating: -10°C~85°C
額定溫度：-10°C~85°C
- Flammability Rating: UL94V-2 / Optional UL94V-0
可燃性等級：UL94V-2 / 可選 UL94V-0

ORDER INFORMATION

| | | | | | | | | | |
|--|---------------------------|-----------|------------|-------------|--------------|----------|-------------------|---------------|-------------------|
| A | L | 1 | BK | 1 | BK | 0 | 0 | S | INTERNAL USE ONLY |
| FUNCTION OF LEFT/RIGHT BUTTON | RATING | BASE TYPE | BASE COLOR | BUTTON TYPE | BUTTON COLOR | PRINTING | COLOR OF PRINTING | TERMINAL TYPE | |
| *A OFF-ON _{1A-1B} / ON _{2A-2B} | L 13(3)A 125/250VAC T85 | 1 | BK Black | 1 | BK Black | 0 NONE | 0 None | S | |
| *C ON _{1A-1B} - OFF-ON _{2A-2B} | 13A GP 125/250VAC T85 | | | | WT White | 1 | 1 White | P | |
| *K OFF-ON _{1A-1B} - ON _{1A-1B} / ON _{2A-2B} | H 16(3)A 125/250VAC T85 | | | | GE Grey | 2 | 2 Black | | |
| *W ON _{1A-1B} - ON _{2A-2B} - ON _{1A-1B} / ON _{2A-2B} | 16A GP 125/250VAC T85 | | | | RE Red | 3 | 3 Red | | |
| *M ON _{1A-1B} - OFF-(ON _{2A-2B}) | 10(2)A 125/250VAC 5E4 T85 | | | | GR Green | 4 | 4 Blue | | |
| *X (ON _{1A-1B}) - OFF-(ON _{2A-2B}) | | | | | BL Blue | 5 | 5 Yellow | | |
| *Q OFF-ON _{1A-1B} - (ON _{1A-1B}) / ON _{2A-2B} | | | | | OR Amber | 6 | 6 Silver | | |
| *T (ON _{1A-1B}) - ON _{2A-2B} - ON _{1A-1B} / ON _{2A-2B} | | | | | YE Yellow | 7 | | | |
| *U ON _{1A-1B} - ON _{2A-2B} - (ON _{1A-1B}) / ON _{2A-2B} | | | | | | 8 | | | |
| *V (ON _{1A-1B}) - ON _{2A-2B} - (ON _{1A-1B}) / ON _{2A-2B} | | | | | | 9 | | | |

*Without tooling for function A,C,W,M,X,Q,T,U,V



CIRCUIT DIAGRAM FOR FUNCTION K

