

SR-22

ROCKER SWITCH SR-22 SERIES

ROCKER SWITCH



SR-22A



SR-22N



SR-22N

ROTARY SWITCH

PUSH SWITCH

MICRO SWITCH

SLIDE SWITCH

INDICATOR LAMP

AC SOCKET

KEYBOARD SWITCH

TIMER SWITCH

POWER TOOL SWITCH

SPECIFICATIONS

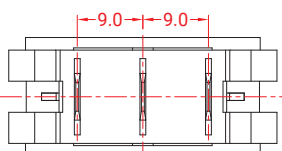
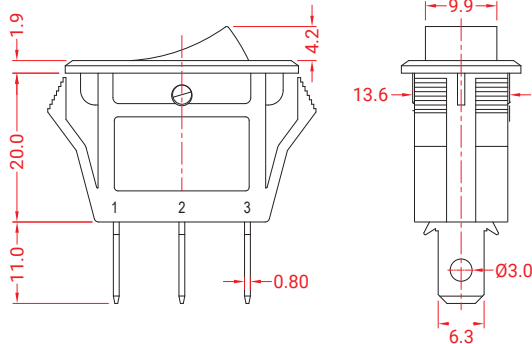
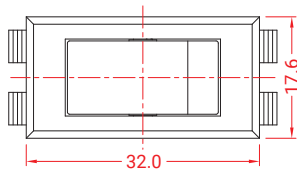
	10(4)A	250VAC	T125/55	5E4
	16(6)A	250VAC	T125/55	
 E199326	10.1A	250VAC	T125	
	16A	125VAC		

FEATURES

- Usage: General purpose
用途：通用
- Single Pole
單極
- With lamp option / America pannel opening
帶燈選項 / 美洲面板開口
- Temperature Rating: -10°C~125°C
額定溫度：-10°C~125°C
- Flammability Rating: UL94V-2 / Optional UL94V-0
可燃性等級：UL94V-2 / 可選 UL94V-0

ORDER INFORMATION

A	L	T	BK	BK	1	1	0	0	0	●●●●●
FUNCTION	CURRENT	TERMINAL TYPE	BASE COLOR	BUTTON COLOR	BASE TYPE	BUTTON TYPE	PRINTING	COLOR OF PRINTING	LAMP VOLTAGE	INTERNAL USE ONLY
A ON-OFF N ON-OFF w/lamp (Unswitched neutral)	L 16(6)A 250VAC 10(4)A 250VAC 5E4 16A 125VAC	T T1 S1 S 	BK Black WT White GE Grey RE Red GR Green BL Blue OR Amber YE Yellow	BK Black WT White GE Grey RE Red GR Green BL Blue OR Amber YE Yellow	1 2 3 4 	1 2 3 	0 NONE 1 1 2 2 3 3 8 8 9 9 A A B B	0 None 1 White 2 Black 3 Red 4 Blue 5 Yellow	0 None 1 12V 3 110V 4 220V	



SUGGESTED PANEL HOLE SIZE

Panel thickness	x
0.75 ~ 3.0	29.0

