

MC11

MICRO SWITCH MC11 SERIES



MC11



MC11



MC11

SPECIFICATIONS

0.1A GP	125/250VAC	40T85μ	2E5
0.1A	30VDC	40T85μ	2E5
3(3)A	125/250VAC	40T85μ	5E4
3A GP	125/250VAC	40T85μ	5E4
1A	42VDC	40T85μ	1E5
5(1)A	125/250VAC	40T85μ	5E4
8(2)A GP	125/250VAC	40T85μ	1E4
5A	30VDC	40T85μ	5E4

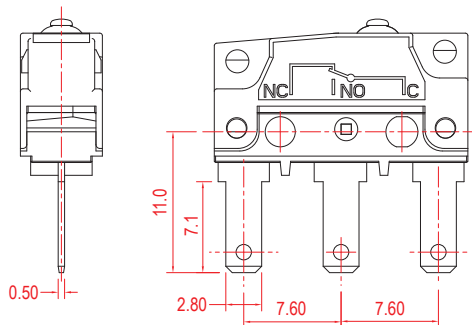
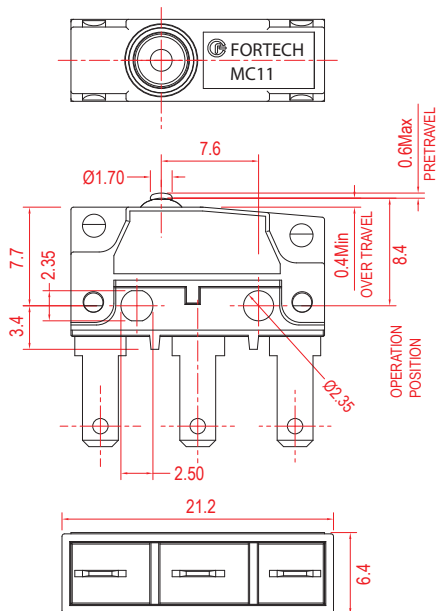


FEATURES

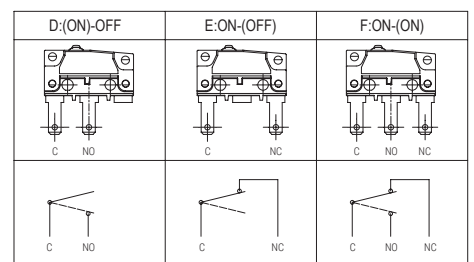
- Usage: kitchen machine, Electronic & Electrical device.
用途：廚房機器，電子及電氣設備
- Waterproof IP65 / IP67 option
防水 IP65 / IP67 選項
- With lever option
帶槓桿選項
- Wire terminal option / Soldering automation process available
接線端子選項/焊接自動化過程可用
- Temperature Rating: -40°C~150°C
額定溫度：-40°C~150°C
- Flammability Rating: UL94V-2 / Optional UL94V-0
可燃性等級：UL94V-2 / 可選 UL94V-0

ORDER INFORMATION

W1	D	S	1	0	0	P	INTERNAL USE ONLY
PROTECTION DEGREES	FUNCTION	RATING	*OPERATING FORCE OPTIONS	AUX OPERATION LEVER	AUX OPERATION LEVER POSITION	TERMINAL	
<p>W1</p> <p>IP65</p> <p>W2</p> <p>IP67</p>	<p>D (ON)-OFF</p> <p>E ON-(OFF)</p> <p>F ON-(ON)</p>	<p>S 0.1A GP 125/250VAC 2E5 40T85μ 0.1A 30VDC 2E5 40T85μ</p> <p>M 3(3)A 125/250VAC 5E4 40T85μ 3A GP 125/250VAC 5E4 40T85μ 1A 42VDC 1E5 40T85μ</p> <p>L 5(1)A 125/250VAC 5E4 40T85μ 8(2)A GP 125/250VAC 1E4 40T85μ 5A 30VDC 5E4 40T85μ</p>	<p>1 100 g.f Max *WITHOUT TOOLING</p> <p>2 150 g.f Max</p>	<p>0</p> <p>1</p> <p>*WITH TOOLING</p> <p>2</p> <p>3</p> <p>4</p> <p>*WITH TOOLING</p>	<p>0</p> <p>WITHOUT AUX OPERATION LEVER</p> <p>H</p> <p>HIGH RATIO</p> <p>L</p> <p>LOW RATIO</p>	<p>P</p> <p>S1</p> <p>*WITH TOOLING</p> <p>S2</p> <p>*WITH TOOLING</p> <p>H</p>	<p>S3</p> <p>*WITH TOOLING</p> <p>V</p> <p>L=CUSTOMED WIRE LENGTH</p>



CIRCUIT DIAGRAM



ROCKER SWITCH

ROTARY SWITCH

PUSH SWITCH

MICRO SWITCH

SLIDE SWITCH

INDICATOR LAMP

AC SOCKET

KEYBOARD SWITCH

TIMER SWITCH

POWER SWITCH