



SK14-1



SK14



SK14-1



SK14-1

### SPECIFICATIONS



10A

250VAC



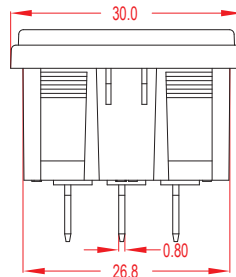
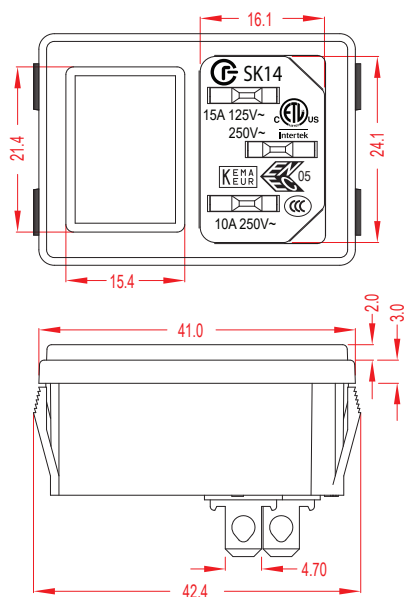
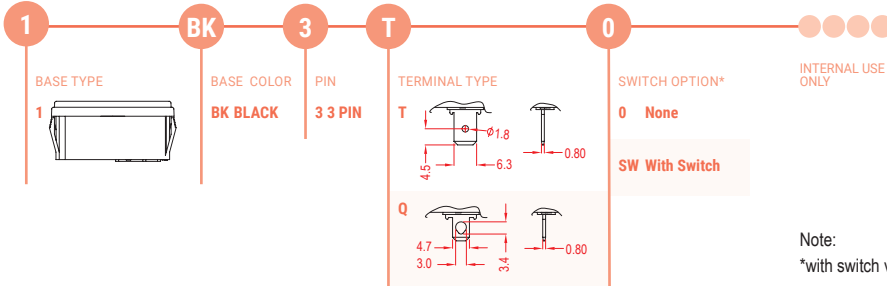
15A

125/250VAC

### FEATURES

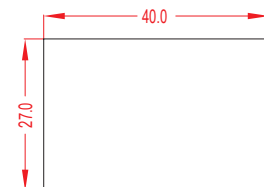
- Usage: Consumer Electronic, Electrical Appliance, Power Supply  
用途：消費電子、電器、電源供應
- Reliable for main power connection  
可靠主電源連接
- 3 Poles Switch optional  
3極·開關可選
- Temperature Rating: 0°C~70°C  
額定溫度：-10°C~70°C
- Flammability Rating: UL94V-2 / Optional UL94V-0  
可燃性等級：UL94V-2 / 可選 UL94V-0

### ORDER INFORMATION



### SUGGESTED PANEL HOLE SIZE

Panel thickness : 1.0~2.0mm



ROCKER SWITCH

ROTARY SWITCH

PUSH SWITCH

MICRO SWITCH

SLIDE SWITCH

INDICATOR LAMP

AC SOCKET

KEYBOARD SWITCH

TIMER SWITCH

POWER TOOL SWITCH