



# SD-61 Series



SD-61

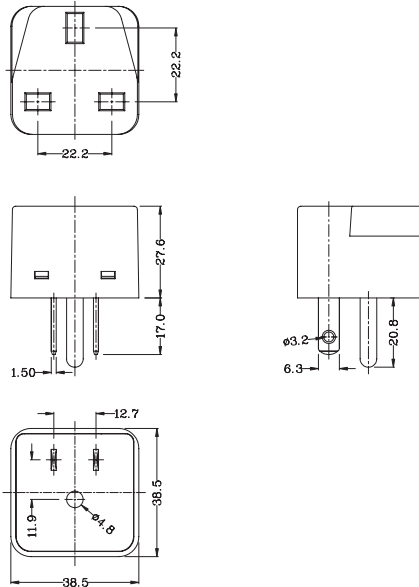
## Specifications:

13A

125VAC



ADAPTOR



## SD-61

