

ST-704

ROTARY SWITCH ST-704 SERIES



ST-704



ST-704

SPECIFICATIONS

	6(5)A	125/250VAC	T85
PENDING	6.5A GP	250VAC	T85
	13A GP	125VAC	T85

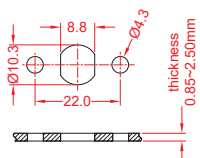
FEATURES

- Usage: Food processor, Washing machine, Coffee Machine, Oven, Audio
用途：食品處理器、洗衣機、咖啡機、烤箱、音響
- Max 10 positions with specified circuit option
具有特定電路選項，最多10個檔位
- Screw nut / Wing Plate hold fixing
螺絲螺母/翼仔板夾固定
- Temperature Rating: -10°C~125°C
額定溫度：-10°C~125°C
- Flammability Rating: UL94V-2 / Optional UL94V-0
可燃性等級：UL94V-2 / 可選 UL94V-0

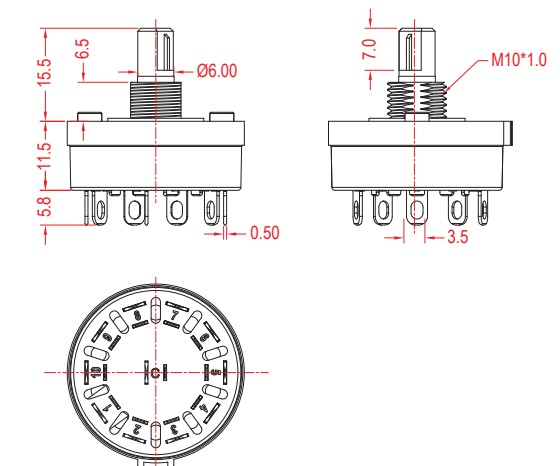
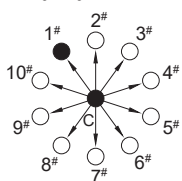
ORDER INFORMATION

12	M	1	1	S	BK
CIRCUIT 12 14 13 14 14 No. of position 15 Single pole 16 Please call factory for 17 detail circuit diagram 18 19 110 <hr/> R2 R3 R3 No. of position R4 Single pole with R5 spring return right R6 Please call factory for R7 detail circuit diagram <hr/> L2 L3 L3 No. of position L4 Single pole with L5 spring return left L6 Please call factory for L7 detail circuit diagram	CURRENT M 6(5)A 250VAC 13A GP 125VAC	HOUSING TYPE 1 Not production mould 2 Not production mould 3 	HANDLE TYPE 1 4.95 Ø6.0 15.5 7.0 For #1 and #3 housing only 2 4.95 Ø6.0 18.6 7.0 For #1, #2 and #3 housing only 3 4.95 Ø6.0 18.2 7.4 For #1, #2 and #3 housing only	TERMINAL TYPE S 2.7 5.8 2.3 0.5 -0.50 P 3.9 5.7 -1-0.50	BASE COLOR BK Black INTERNAL USE ONLY

SUGGESTED PANEL HOLE SIZE



Wiring Diagram



ROCKER SWITCH

ROTARY SWITCH

PUSH SWITCH

MICRO SWITCH

SLIDE SWITCH

INDICATOR LAMP

AC SOCKET

KEYBOARD SWITCH

TIMER SWITCH

POWER TOOL SWITCH