



SD-83/85 Series

Patent No.: 200620136974.3



SD-83

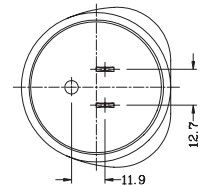
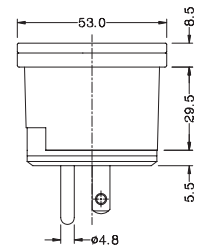
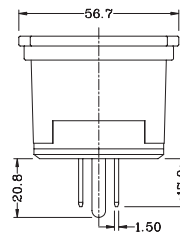
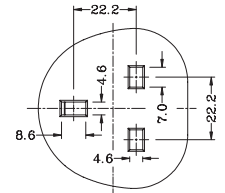
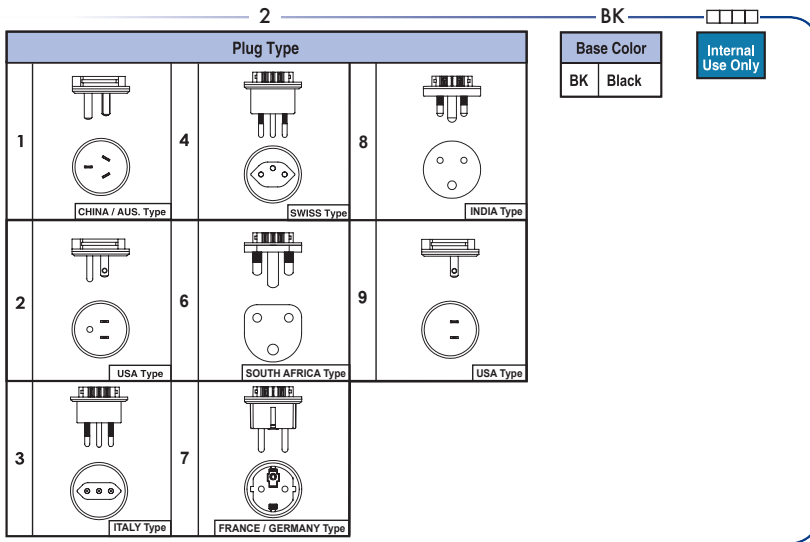


Specifications:

13A 250VAC



SD-83



ADAPTOR



SD-85



Specifications:

15A 125/250VAC



SD-85

