



SR-21 Series

ROCKER SWITCH



SR-21A



SR-21N (1P1T)



SR-21N



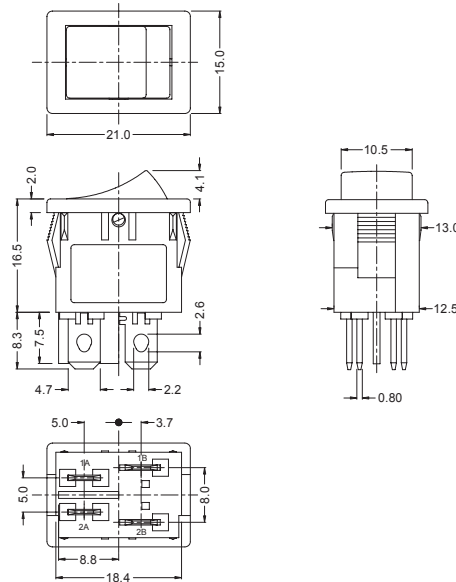
SR-06 Cap

Specifications:

13(2)A 250VAC T85

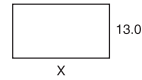


6A 12A 250VAC 125VAC T125



Suggested panel hole size

Panel thickness	X
0.75-1.25	19.2
1.25-2.0	19.4
2.0-3.0	19.6



SR-21

A — 2 — L — Q — 1 — BK — BK — 2 — 0 — 0 — 0 — □□□

Function	No. of Poles	Current	Terminal Type	Base Type	Base Color	Button Color	Button Type	Printing	Color of Printing	Lamp Voltage	Internal Use Only
A ON-OFF	1 Single	L 13(2)A 250VAC			BK Black	BK Black	2	0 None	0 None	0 None	
N ON-OFF w/lamp	2 Double	L 12A 125VAC				WT White	WT White		1	1 White	
			GE Grey	GE Grey		2	2 Black		3 110V		
			RE Red	RE Red		3	3 Red		4 220V		
			GR Green	GR Green		8	4 Blue				
			BL Blue	BL Blue		9	5 Yellow				
			OR Amber	OR Amber							
			YE Yellow	YE Yellow							