

SR-20

ROCKER SWITCH SR-20 SERIES



ROCKER SWITCH

PUSH SWITCH

MICRO SWITCH

SLIDE SWITCH

INDICATOR LAMP

AC SOCKET

KEYBOARD SWITCH

TIMER SWITCH

POWER TOOL SWITCH

SPECIFICATIONS

	13(2)A	250VAC	T85
	6A	250VAC	T125
	12A	125VAC	

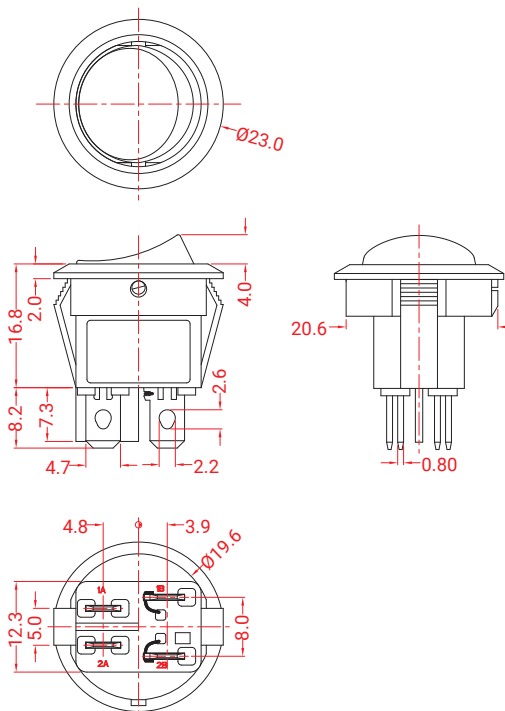
FEATURES

- Usage: General purpose
用途：通用
- Round button design with waterproof cap option
圓形按鈕設計
- Single Pole, Double Pole option, Separation plate
單極、雙極選項、帶隔板
- Multi- function / Momentary function with lamp option
切合不同使用功能/帶燈瞬時功能
- Temperature Rating: -10°C~125°C
額定溫度：-10°C~125°C
- Flammability Rating: UL94V-2 / Optional UL94V-0
易燃性等級：UL94V-2 / 可選 UL94V-0

ORDER INFORMATION

A	1	L	Q	1	BK	BK	2	0	0	0	00	INTERNAL USE ONLY
FUNCTION	NO. OF POLES	CURRENT	TERMINAL TYPE	BASE TYPE	BASE COLOR	BUTTON COLOR	BUTTON TYPE	PRINTING	COLOR OF PRINTING	LAMP VOLTAGE	SMALL LEN COLOR	
A ON-OFF	1 Single	L 13(2)A 250VAC	Q	1	BK Black	BK Black	2	0 NONE	0 None	0 None	00 None	
N ON-OFF w/lamp (Unswitched neutral)	2 Double	12A 125VAC (For A&N functions only)	V		WT White	WT White	R	1	1 White	1 12V	RE Red	
R (ON)-OFF w/lamp		L 13(2)A 250VAC (For R function only)			GE Grey	GE Grey	6	2	2 Black	3 110V	GR Green	
					RE Red	RE Red	(Glossy Surface)	3	3 Red	4 220V	BL Blue	
					GR Green	GR Green		8	4 Blue		OR Amber	
					BL Blue	BL Blue		9	5 Yellow			
					OR Amber	OR Amber		A				
					YE Yellow	YE Yellow						

Remark: NO UL approval for R function



SUGGESTED PANEL HOLE SIZE

Panel thickness	x
0.75 ~ 1.25	20.3
1.25 ~ 2.0	20.8
2.0 ~ 3.0	21.1

