



SL-102-11



SL-102-12



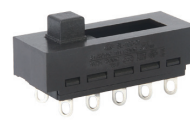
SL-102-21



SL-102-22



SL-102-23



SL-102-24

Specifications:

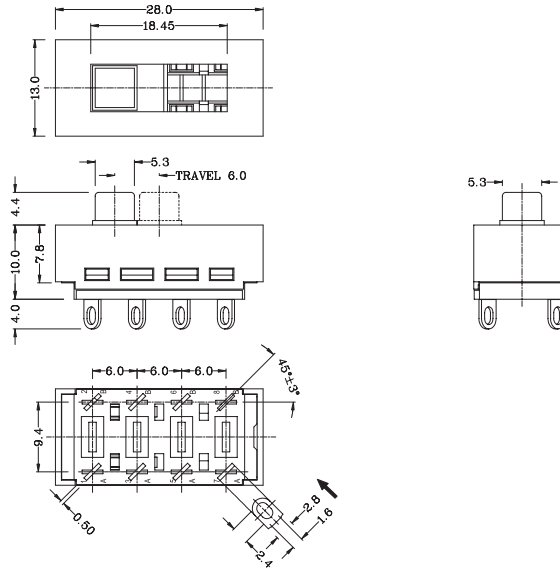
10(2)A 250VAC T85



8A
16A

250VAC
125VAC

T125



SL-102

SLIDE SWITCH

23		L		2		S	
Circuit	Ref: Base Dimension	Current	Knob Type	Terminal Type	Internal Use Only		
11 1P1T		L 10(2)A 250VAC	1	S			
21 2P1T		16A 125VAC	2	S1			
12 1P2T			3	P1			
22 2P2T							
13 1P3T							
23 2P3T							
14 1P4T							
24 2P4T							