

TP02

POWER TOOL SWITCH TP02 SERIES



TP02



TP02

SPECIFICATIONS

8A	24VDC	5E5
10A	24VDC	5E5
12A	24VDC	5E5
15A	24VDC	5E5
20.1A	24VDC	5E5



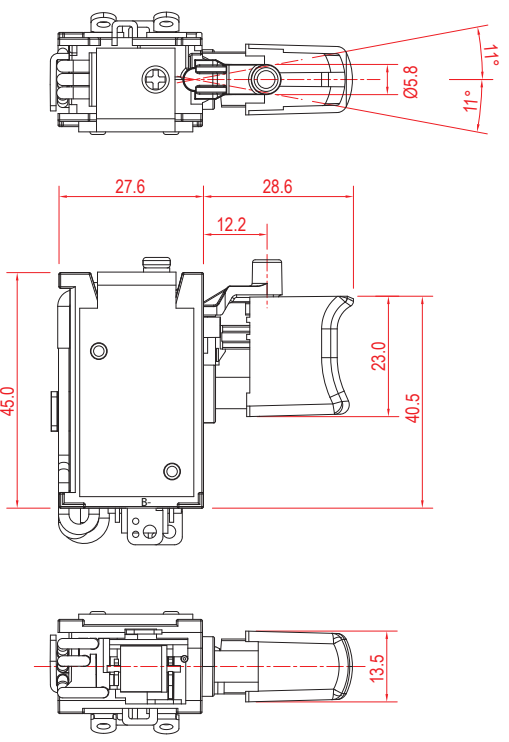
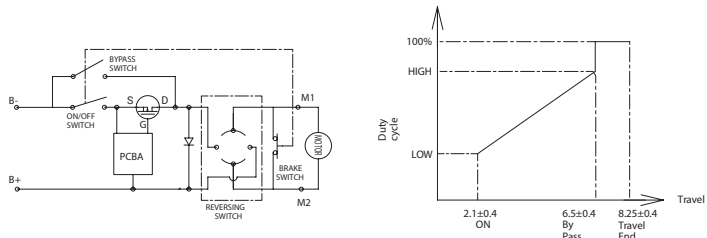
FEATURES

- Usage: Power Tools
用途：電動工具
- Single Pole
單極
- Variable speed control with integrated reversing
帶集成換向的變速控制
- Various FET mounting options for optimized heat removal
用於優化散熱的各種 FET 安裝選項
- Various duty cycle/ frequency options
各種佔空比/頻率選項
- Temperature Rating: 0°C~55°C
額定溫度：0°C~55°C
- Flammability Rating: UL94V-2 / Optional UL94V-0
可燃性等級：UL94V-2 / 可選 UL94V-0

ORDER INFORMATION

D	08	1	BK	1	BK	S	INTERNAL USE ONLY
FUNCTION	CURRENT	TRIGGER	TRIGGER COLOR	REVERSING LEVER	REVERSING LEVER COLOR	TERMINAL	
D (ON)-OFF	08 8A 24VDC 5E4	1	BK BLACK	1	BK BLACK	S	
D1 (ON)-OFF WITH VARIABLE SPEED	10 10A 24VDC 5E4 12 12A 24VDC 5E4		RE RED		RE RED		
D2 (ON)-OFF WITH POTENTIOMETER (WITHOUT TOOLING)	15 15A 24VDC 5E4 20 20.1A 24VDC 5E4						

DUTY CYCLE VS TRAVEL DIAGRAM



ROCKER SWITCH

ROTARY SWITCH

PUSH SWITCH

MICRO SWITCH

SLIDE SWITCH

INDICATOR LAMP

AC SOCKET

KEYBOARD SWITCH

TIMER SWITCH

POWER TOOL SWITCH