

ADAPTOR



SD-86

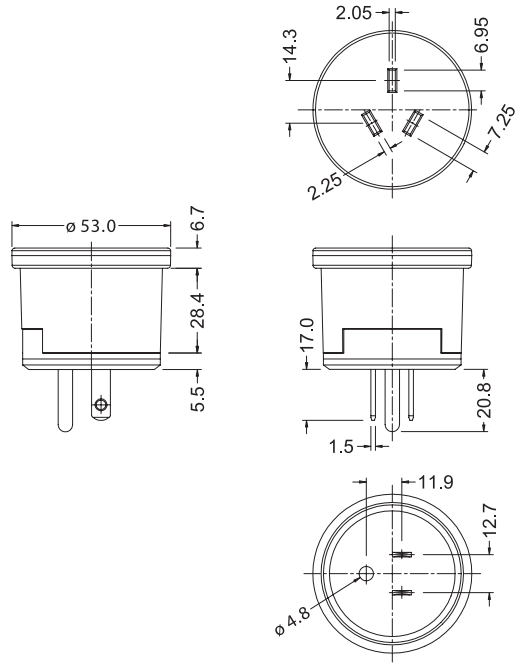
## Specifications:

10A 250VAC



## SD-86

Plug Type			Base Color	Internal Use Only
2	5	8	BK Black	
USA Type	UK Type	INDIA Type		
3	6	9		
ITALY Type	SOUTH AFRICA Type	USA Type		
4	7			
SWISS Type	FRANCE / GERMANY Type			



SD-88+1

SD-88+2

SD-88+4

SD-88+5

SD-88+6

SD-88+8

## Specifications:

Input: 100-250VAC 50/60Hz  
Output: 5VDC 1A



Input: 100-250VAC 50/60Hz  
Output: 5VDC 2.4A



## SD-88

Plug Type			Base Color	Internal Use Only
1	4	7	BK Black	
CHINA / AUS. Type	SWISS Type	FRANCE / GERMANY Type		
2	5	8		
USA Type	UK Type	INDIA Type		
3	6	9		
ITALY Type	SOUTH AFRICA Type	USA Type		

