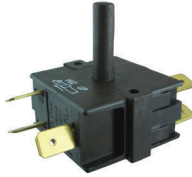




# ST-902 Series



ST-902



ST-902

## Specifications:

6(1)A 250VAC T125 5E4  
 16(3)A 250VAC T125

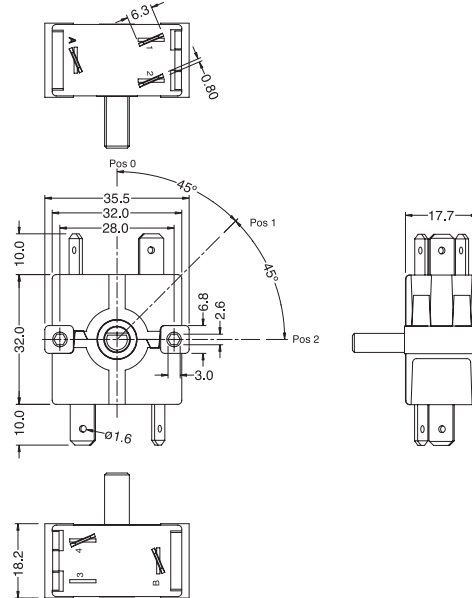


6(1)A 250VAC T120 5E4  
 16(3)A 250VAC T120  
 16A GP 125VAC T120



\*UL61058 approved

ROTARY SWITCH



## ST-902

L		1		D		01		2		T		Internal Use Only
Current		Degree of rotation		No. of Position		Circuit		Handle Type		Terminal Type		
L	16(3)A 250VAC	1	45°	B	2	01	Almost Infinite Options Please Call Factory	1	6	Q		
	6(1)A 250VAC 5E4	2	30°	C	3	02		2	8	T		
	16A GP 125VAC	3	25.7°	D	4	03		3				
				E	5	04		4				
				F	6	05		5				
				G	7	06						
						07						
						08						
						09						
						10						

For more circuit options, please refer to next page