



# SR-93 Series

ROCKER SWITCH



SR-93R



SR-93N

## Specifications:

6(2)A 250VAC T125/55 5E4  
10(3)A 250VAC T125/55



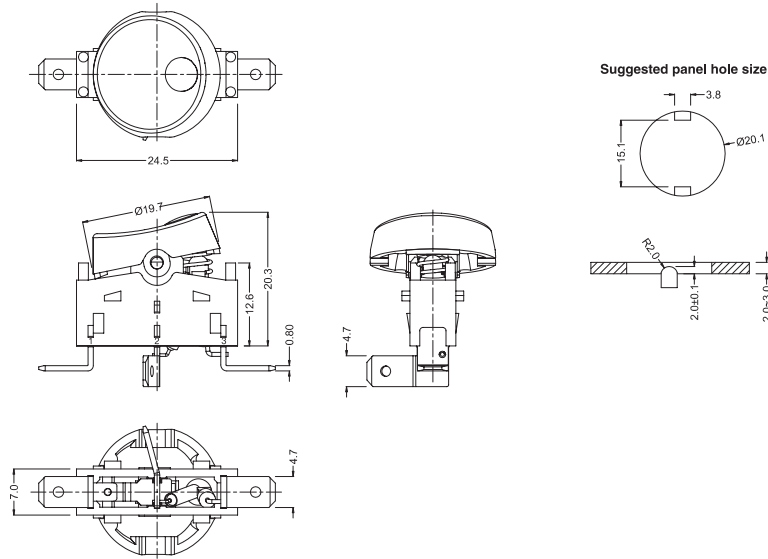
6(2)A 125VAC/250VAC  
10(3)A 125VAC /250VAC  
16A GP 125VAC

T125/55  
T125/55  
T125/55

5E4



\*UL61058 approved



## SR-93

R L A 2 BK BK 6 0 0 RE 4

Function	Current	Terminal Type	Base Type	Base Color	Button Color	Button Type	Printing	Color of Printing	Small Lens Color	Lamp Voltage	Internal Use Only
A ON-OFF	L 10(3)A 250VAC		2	BK Black	BK Black	4	0 None	0 None	00 None	0 None	
D (ON)-OFF	6(2)A 250VAC 5E4 16A GP 125VAC				WT White	5	1	1 White	RE Red	1 12V	
N ON-OFF w/lamp (Unswitched neutral)					GE Grey	6	2	2 Black	GR Green	2 24V	
R (ON)-OFF w/lamp					RE Red	R	3	3 Red	BL Blue	3 110V	
				GR Green		8	4 Blue	OR Amber	4 220V		
				BL Blue		9	5 Yellow				
				OR Amber		A					
				YE Yellow							