



# SR-68-1 Series

ROCKER SWITCH



SR-68-1C



SR-68-1K



SR-68-1K



SR-68-1W



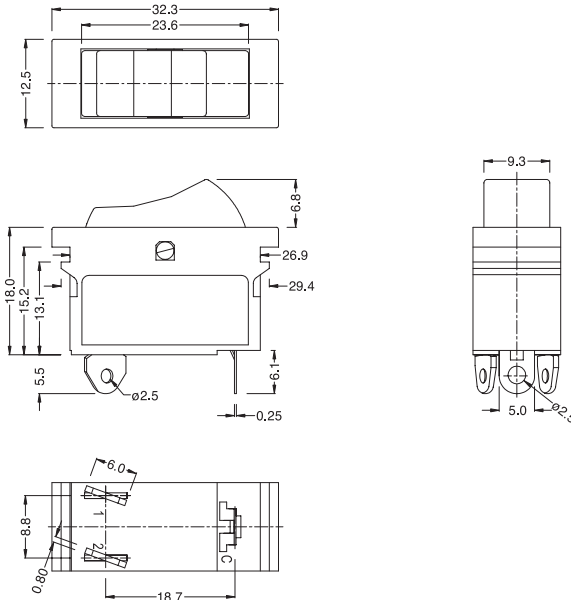
SR-68-1A

## Specifications:

10(2)A 250VAC T85/55 5E4  
16(3)A 250VAC T85/55



10.1A 250VAC T85  
16A 125VAC



## SR-68-1

K		L		BK		OR		1		0		0		1		Internal Use Only
Function	Current	Base Color	Button Color	Button Type	Printing	Color of Printing	Base Type									
A OFF-ON <sub>1+2</sub>	L 16(3)A 250VAC 16A 125VAC	BK Black	BK Black	0 None	0 None	0 None	 									
C ON-OFF-ON <sub>2</sub>			WT White	1	1	1 White		1								
K OFF-ON <sub>1</sub> -ON <sub>1+2</sub>			GE Grey	4	2	2 Black										
W ON <sub>1</sub> -ON <sub>2</sub> -ON <sub>1+2</sub>			RE Red	5	3	3 Red										
			GR Green		4	4 Blue										
			BL Blue		5	5 Yellow										
			OR Amber		6	6 Silver										
			YE Yellow		7											
					8											
					9											
					A											
					B											
					C											
					D											
					E											
					F											
					G											
					H											