



# SR-72 Series

Patent No.: 1001950.7M001 / 201030686292.1  
1001950.7M002 / 201030686268.8

ROCKER SWITCH



SR-72A



SR-72C



SR-72K(13)



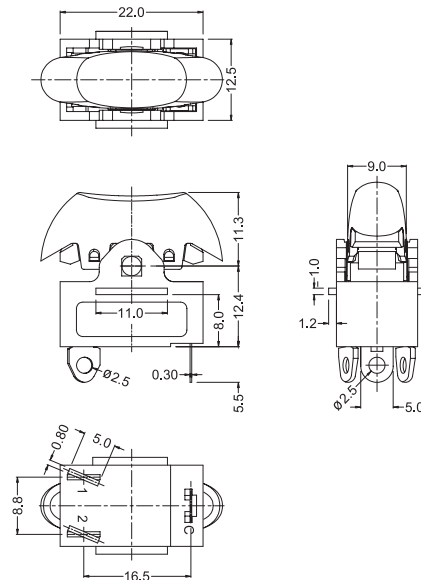
SR-72K

## Specifications:

10(2)A 250VAC T85 5E4  
16(3)A 250VAC T85



10.1A 250VAC T85  
16A 125VAC



## SR-72

A	H	BK	BK	2	0	0	1	Internal Use Only
Function	Current	Base Color	Button Color	Button Type	Printing	Color of Printing	Base Type	
A OFF-ON <sub>1+2</sub>	H 16(3)A 250VAC 10(2)A 250VAC 5E4 16A 125VAC	BK Black	BK Black	0 None	0 None	0 None	 	
C ON <sub>1</sub> -OFF-ON <sub>2</sub>			WT White	2	1	1 White		
K OFF-ON <sub>1</sub> -ON <sub>1+2</sub>			GE Grey	E	2	2 Black		
W ON <sub>1</sub> -ON <sub>2</sub> -ON <sub>1+2</sub>			RE Red	Mid-pole	3	3 Red		
			BL Blue	13	4	4 Blue		
			OR Amber		5	5 Yellow		
			YE Yellow		6			
					7			
					8			
					9			
					A			
					B			
					C			
					D			
					E			
					F			
					G			
					H			